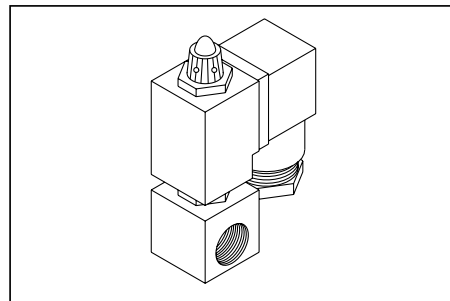


### Midget Solenoid Valve ( 2/2, 3/2 )

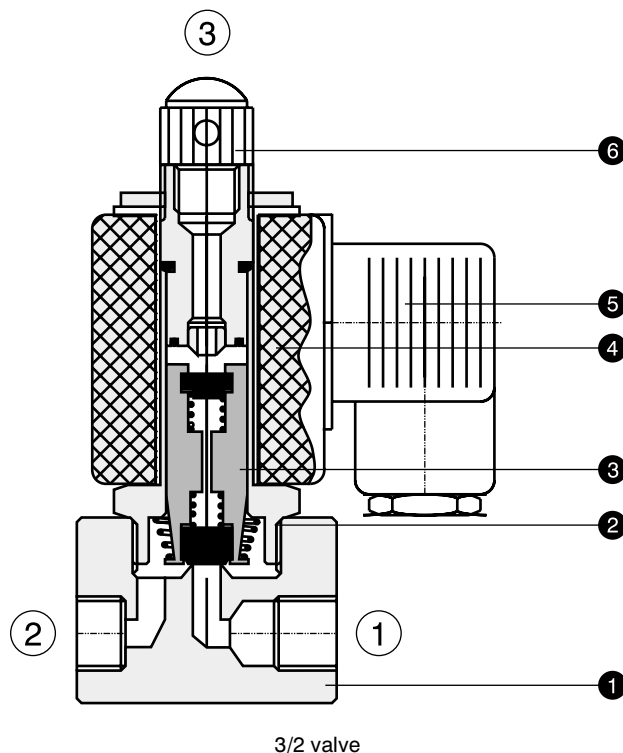
- Direct acting design.
- Quick response to actuation.
- Normally closed, normally open option available.
- Suitable for vacuum application.



#### PART LIST

NO.	DESCRIPTION	QTY.
1	Body	1
2	Tube assy.	1
3	Plunger assy.	1
4	Solenoid coil	1
5	Plug in connector	1
6	Dust cap ( For 3/2 valve )	1

Complete Plunger Assy. ( 3 ) offered as spare.



#### TECHNICAL SPECIFICATIONS

TYPE	VALVE WITH ( G25 - 4W ) COIL	VALVE WITH ( G50 / G70 - 8W ) COIL
Construction	Valve Body : Brass as standard, SS304 optional Internals : S.S. plunger with NBR seals.	
Coil Voltages	AC : 110, 240 V 50 Hz DC : 24V	AC : 24, 42, 48, 110, 240, 440V 50 Hz DC : 12, 24, 48, 110, 240V
Permissible voltage fluctuation	± 10%	+ 10% / - 15%
Power Consumption	AC : Pull : 7.5 VA, Hold : 6 VA DC : 4 WATT	AC : Pull 21V A, Hold : 14V A DC : 10 WATT
Duty cycle	100%	
Response time	8ms	
Class of Insulation	F ( Winding wire of class 'H' insulation )	
Degree of protection	IP 65 - IS 2147	
Cable connector	PG. 9	PG. 11
Fluid/ambient temp.	- 10 to 55° C	

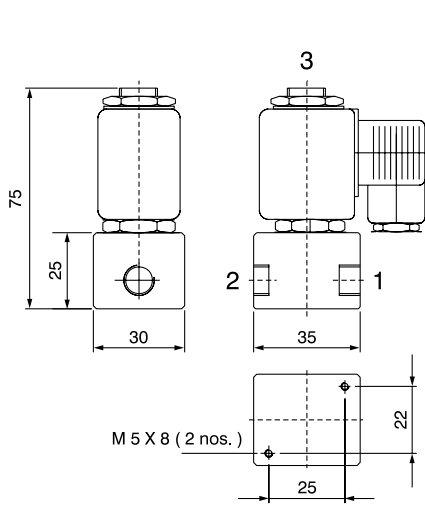


FIG.1

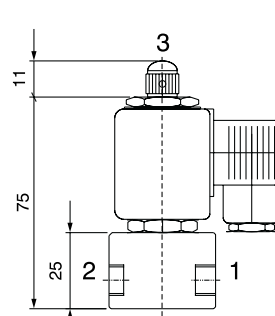


FIG.2

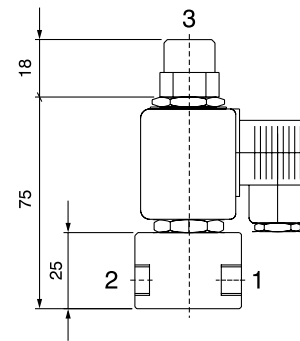


FIG.3

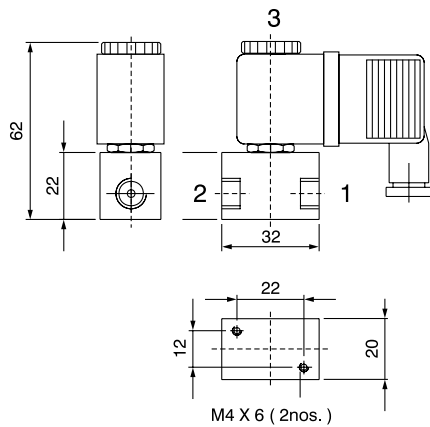
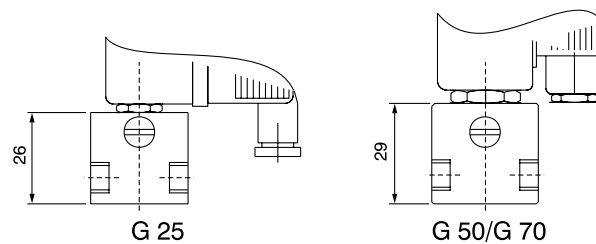


FIG.4



VALVE WITH MANUAL OVERRIDE

FIG.5

TYPE	BASIC PART NO.	FUNC.	COIL REF.	ORIFICE IN - CYL.	PR. RATING ( BAR )	REF. DRG.	PORT			CV IN - CYL.
							1	2	3	
1/8"-2/2	A 255	N.C.	G25	1.2	0-8.0	Fig. 4	CYL	IN	PL	0.06
	G 455	N.C.	G50/G70	1.6	0-10.0	Fig. 1	CYL	IN	PL	0.12
1/4"-2/2	G 455A	N.C.	G50/G70	1.6	0-10.0	Fig. 1	CYL	IN	PL	0.12
	G 455A/3	N.C.	G50/G70	3.0	0-10.0	Fig. 1	CYL	IN	PL	0.40
1/8"-3/2	A 254	N.C.	G25	1.2	0-8.0	Fig. 4	IN	CYL	EXH	0.06
	G 454	N.C.	G50/G70	1.6	0-10.0	Fig.2	IN	CYL	EXH	0.12
	G 454/3	N.C.	G50/G70	3.0	0-4.5 (AC) 0-3.5 (DC)	Fig. 2	IN	CYL	EXH	0.40
	G457	N.O.	G50/G70	1.6 (CYL-EX) 1.6	0-10.0	Fig. 3	EXH	CYL	IN	0.12
1/4"-3/2	G 454 A	N.C.	G50/G70	1.6	0-10.0	Fig. 2	IN	CYL	EXH	0.12
	G 454 A/3	N.C.	G50/G70	3.0	0-4.5 (AC) 0-3.5 (DC)	Fig. 2	IN	CYL	EXH	0.40
	G 457 A	N.O.	G50/G70	1.6 (CYL-EX) 1.6	0-10	Fig. 3	EXH	CYL	IN	0.12

NOTE : Add suffix M for Manual Override ( Ref. Fig. 5 ), S for SS 304 body, L for PIC with light indicator.  
Valves with G50 / G70 coils can also be offered with flame proof coil as per IS2148 ( duly certified by CMRs Dhanbad ).