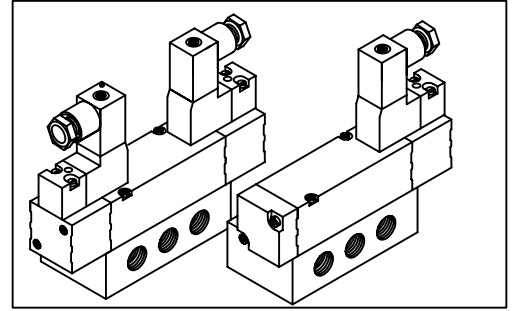
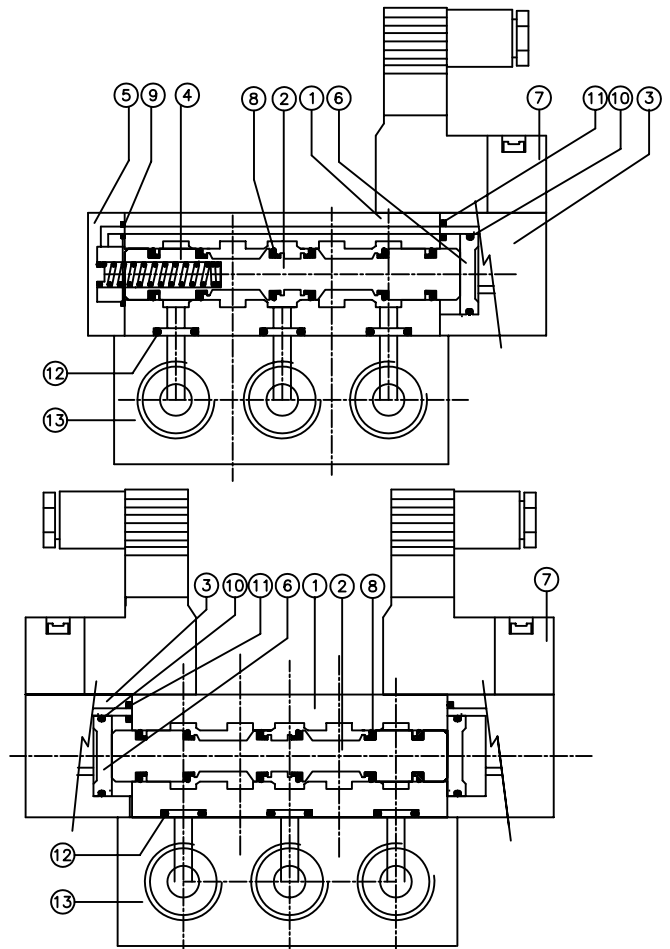


G1/4 - 5/2 Solenoid operated sub-base (Compact Series) High Flow valves.

- Streamlined construction.
- Low friction dynamic seals for better performance.
- Option of gang manifolding upto 6 nos. of valves.



PART LIST			
NO.	DESCRIPTION	QTY	
		Single Sol.	Double Sol.
1	Valve Body	1	1
2	Spool	1	1
3	Solenoid Housing	1	2
4	Spring	1	—
5	Air Spring Housing	1	—
6	Piston	1	2
7	Coil with plug in connector	1	2
8	Spool Seal	6	6
9	Gasket	1	—
10	Piston Seal	1	2
11	'O'-Ring for Sole. Hsg.	1	2
12	Sub-base 'O'-Ring	5	5
13	Sub-base Plate	1	1

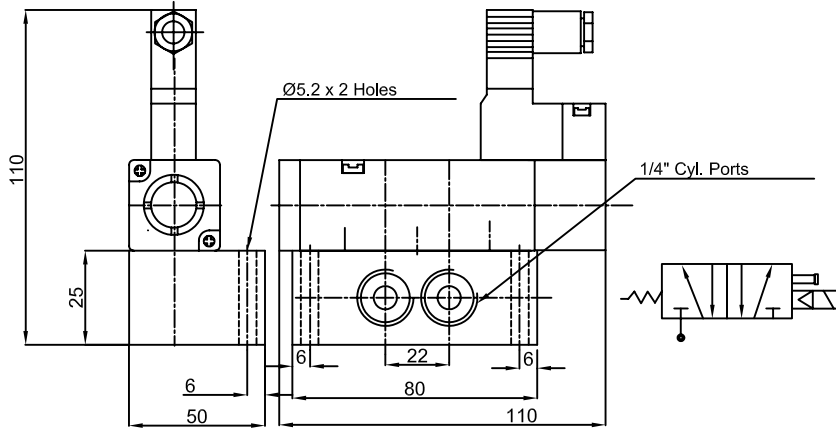


Seal Kit consists of items (2+8), 9, 10,11 & 12

COIL SPECIFICATION

TYPE	Valve with G15 coil
Tube Assy. Construction	3/2 NC Sub-base valve with coil assly. Orifice=1.1 mm, flow=24 l/min
Coil Voltages	AC: 24, 110, 230 V 50 Hz
	DC: 12,24 V
Voltage Range	± 10%
Power Consumption	AC: Pull:3 VA,
	DC: 2.5 WATT
Duty cycle	100%
Class of Insulation	F (Winding wire of class 'H' Insulation)
Degree of Protection	IP 65 – IS 2147
Cable Connector	DIN 43650 / PG 7

G1/4 - 5/2 SINGLE SOLENOID SUB BASE VALVE(COMPACT)



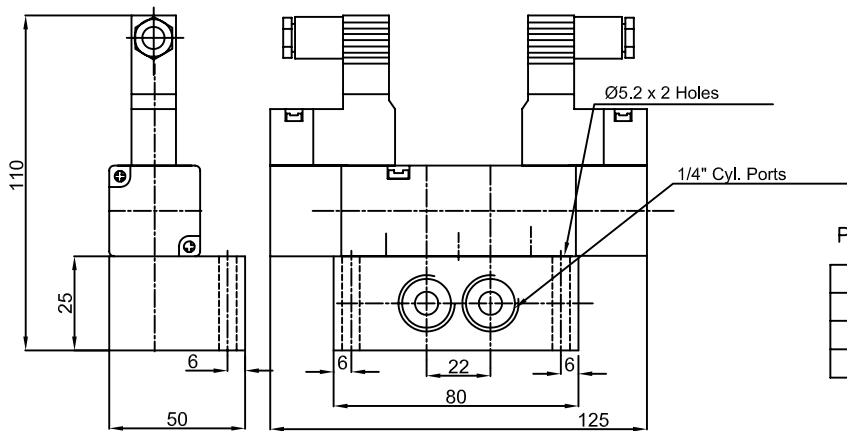
PART NOS.

Type	Part No.
1/4 " 5/2- Single Solenoid Sub base Valve	D43214
Seal Kit for 5/2 Sing,Sole.Valve	SK 43214

SPECIFICATION

SPECIFICATION	Single Solenoid	Double Solenoid
Medium	Compressed Air, Filtered	
Design	Spool Type With Air Spring return	
Working Pressure	1.5 - 10 kg/sq.cm.	
Ambient/Fluid Temp.	-10 °C to 55 °C	
Cv(Nominal Flow)	1.3 (1300 lit/min.)	
Response Time at 5 Bar	ON Time:-10 m.s. OFF Time:- 30 m.s.	
Manual Override	Push type	
Optional Features	PIC with Light Indicator External Pilot Actuation	
Materials	Body,Spool :- Aluminium Seals:- NBR	

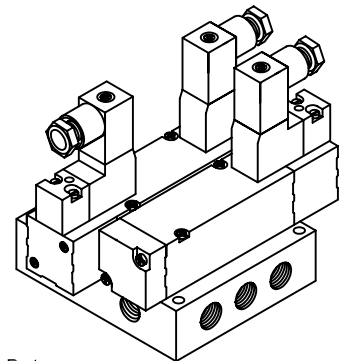
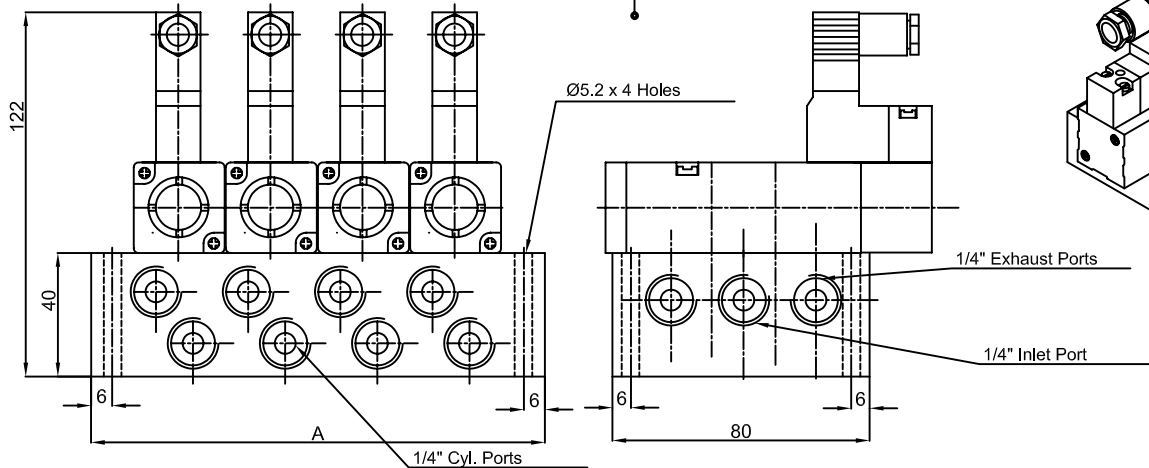
G1/4 - 5/2 DOUBLE SOLENOID SUB BASE VALVE(COMPACT)



PART NOS.

Type	Part No.
1/4 " 5/2- Double Solenoid Sub base Valve	D43224
Seal Kit for 5/2 Sing,Sole.Valve	SK 43224

GANG MANIFOLD 5/2 SUB BASE VALVE(COMPACT)



Ordering Information

For ordering gang manifold of 3 valves namely 2 nos. of 1/4" Single Solenoid Sub Base Valve and 1 no. of 1/4" Double Solenoid Sub Base Valve Following is the ordering key.

Manifold : 14PM-3

Valve : D43214 2 Nos.
Valve : D43224 1 No.

No.of Valves	2	3	4	5	6
Dimension 'A'	83.5	114	144.5	175	205.5
1/4"Manifold Part no.	14PM-2	14PM-3	14PM-4	14PM-5	14PM-6

Note : 1) Max. no. of valves on a single manifold block is 6 nos.
2) Valves beyond 6 nos. offered in combination of manifolds (consult Engg. dept.)