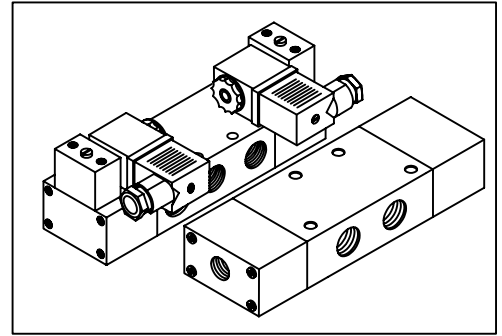


## G1/4 - 5/3 Solenoid & Pilot Operated High Flow Valve

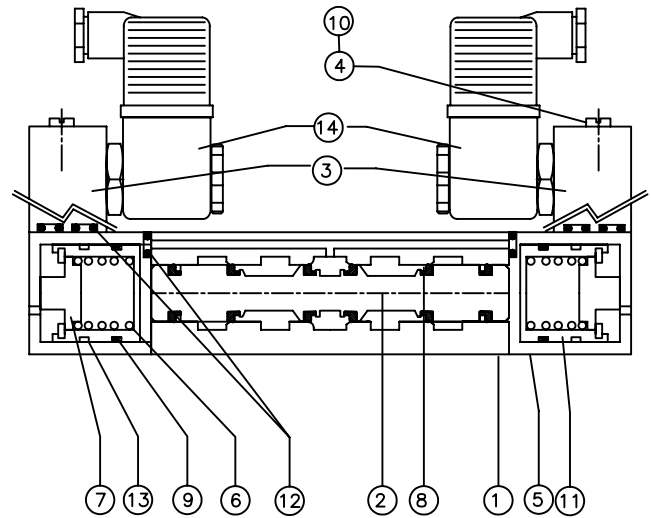
- Streamlined construction.
- Compact dynamic seal design results in higher flow passages.
- Central position is provided with three options of Neutral,
- Positive & Negative to build appropriate logic circuit.
- Suitable for holding of double acting cylinder within its stroke range.



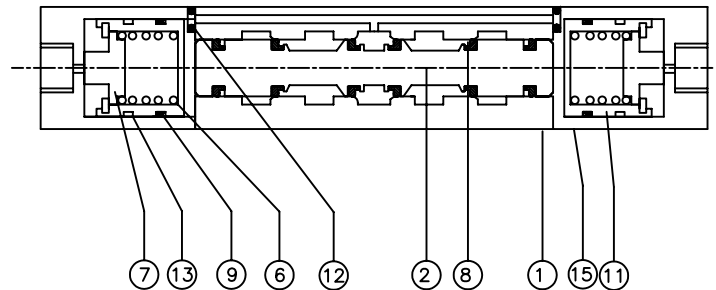
### PART LIST

NO.	DESCRIPTION	QTY.	
		Solenoid	Pilot
1	Valve body	1	1
2	Spool	1	1
3	Solenoid housing	2	-
4	Manual override pin	2	-
5	Intermediate housing	2	-
6	Spring	2	2
7	Spring Guide	2	2
8	Spool seal	6	6
9	Piston U cup	2	2
10	M. O. 'O' ring	2	-
11	Piston	2	2
12	Solenoid hsg. O Ring	8	4
13	Piston wear ring	2	2
14	Coil with plug in connector	2	-
15	Pilot housing	-	2

Seal kit consists of items (2+ 8), 9, 10, 12 & 13



5/3 DOUBLE SOLENOID VALVE

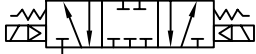


5/3 DOUBLE PILOT VALVE

### COIL SPECIFICATION

TYPE	Valve with G25 coil
Tube Assy. Construction	SS plunger with NBR seals, SS magnet core assembled with brass adaptor
Coil Voltages	AC: 24,48,110, 240 V 50 Hz (Other voltages on request)
	DC: 12,24,48 V AC: 12 V 50 Hz DC: 110 V)
Voltage Range	± 10%
Power Consumption	AC: Pull:7.5 VA, Hold: 5 VA
	DC: 3 WATT
Duty cycle	100%
Class of Insulation	F (Winding wire of class 'H' Insulation)
Degree of Protection	IP 65 - IS 2147
Cable Connector	DIN 43650 -PG. 9

## G 1/4 5/3 DOUBLE SOLENOID VALVE



Neutral: All ports blocked in non- actuated position

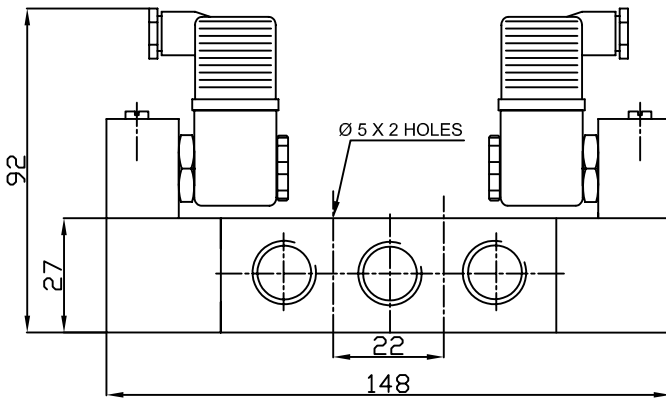


Negative: Cylinder air exhausted in non-actuated position.



Positive: Inlet air connected to both cylinder ports in non-actuated position.

WIDTH OF THE VALVE IS 42 mm



PART NOS.

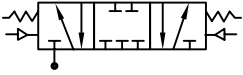
Type	Part No.
G1/4 5/3 Double Solenoid Valve	A43024*
Seal Kit for 5/3 Double Solenoid Valve	SK43024*

\* - Add appropriate suffix of X-Neutral, Y- Negative, Z- Positive

SPECIFICATION

Medium	Compressed Air, Filtered
Design	Spool Type With Air Spring return
Working Pressure	1.8 – 10 kg/sq.cm.
Ambient/Fluid Temp.	-10 °C to 55 °C
Cv(Nominal Flow)	1.3 (1300 lit/min.)
Response Time at 5 Bar	ON Time:-10 m.s. OFF Time:- 30 m.s.
Manual Override	Screw Type, Detent
Optional Features	PIC with Light Indicator External Pilot Actuation
Materials	Body,Spool :- Aluminium Seals:- NBR

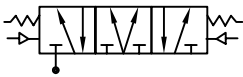
## G 1/4 5/3 DOUBLE PILOT VALVE



Neutral: All ports blocked in non- actuated position

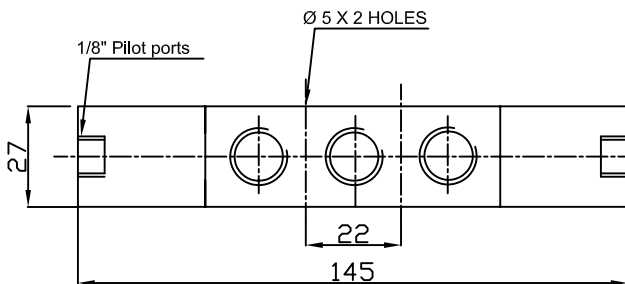


Negative: Cylinder air exhausted in non-actuated position.



Positive: Inlet air connected to both cylinder ports in non-actuated position.

WIDTH OF THE VALVE IS 42 mm



PART NOS.

Type	Part No.
G 1/4 5/3 Double Pilot Valve	43004PP*
Seal Kit for 5/3 Double Pilot Valve	SK43004PP*

\* - Add appropriate suffix of X-Neutral, Y- Negative, Z- Positive

SPECIFICATION

Medium	Compressed Air, Filtered
Design	Spool Type With Air Spring return
Working Pressure	1.8 – 10 kg/sq.cm.
Ambient/Fluid Temp.	-10 °C to 55 °C
Cv(Nominal Flow)	1.3 (1300 lit/min.)
Response Time at 5 Bar	ON Time:-10 m.s. OFF Time:- 30 m.s.
Manual Override	Screw Type, Detent
Optional Features	PIC with Light Indicator External Pilot Actuation
Materials	Body,Spool :- Aluminium Seals:- NBR