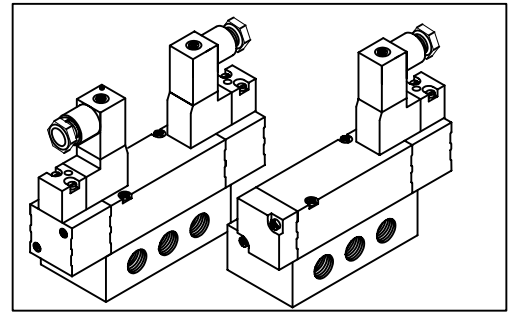


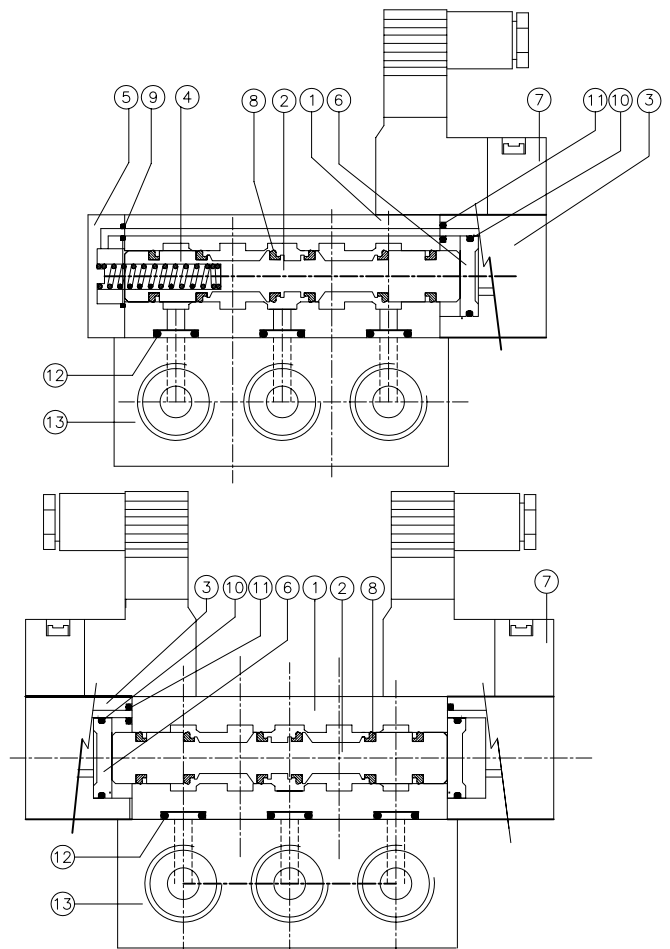
G3/8,G1/2-5/2 Solenoid operated sub-base Compact Series spool valves.

- Streamlined construction.
- Low friction dynamic seals for better performance.
- Option of gang manifolding upto 6 nos. of valves.
-



PART LIST			
NO.	DESCRIPTION	QTY	
		Single Sol.	Double Sol.
1	Valve Body	1	1
2	Spool	1	1
3	Solenoid Housing	1	2
4	Spring	1	—
5	Air Spring Housing	1	—
6	Piston	1	2
7	Coil with plug in connector	1	2
8	Spool Seal	6	6
9	Gasket	1	—
10	Piston Seal	1	2
11	'O'-Ring for Sole. Hsg.	1	2
12	Sub-base 'O'-Ring	5	5
13	Sub-base Plate	1	1

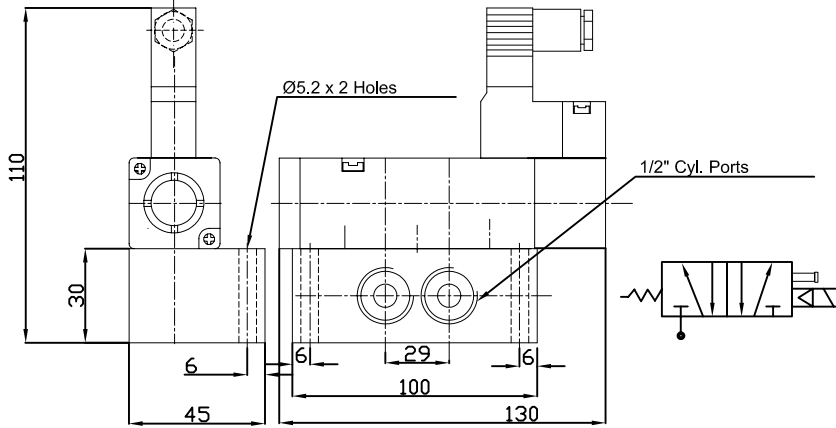
Seal Kit consists of items (2+8), 9, 10,11 & 12



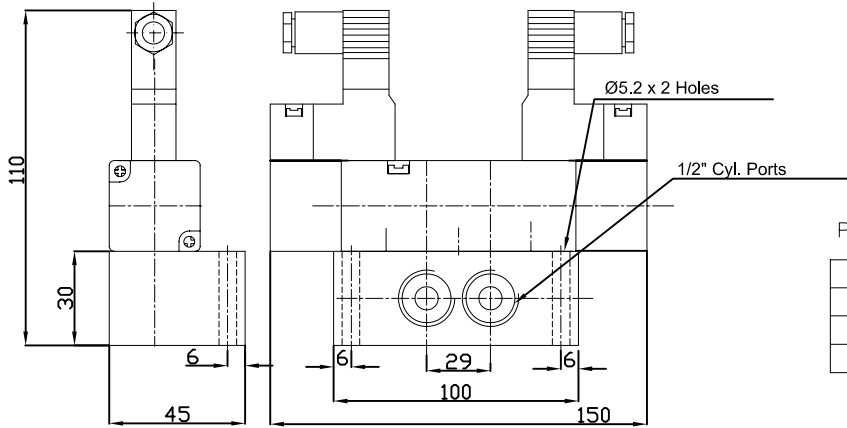
COIL SPECIFICATION

TYPE	Valve with G15 coil
Tube Assy. Construction	3/2 NC Sub-base valve with coil assy. Orifice=1.1 mm, flow=24 l/min
Coil Voltages	AC: 24, 110, 230 V 50 Hz DC: 12,24 V
Voltage Range	± 10%
Power Consumption	AC: Pull:3 VA, DC: 2.5 WATT
Duty cycle	100%
Class of Insulation	F (Winding wire of class 'H' Insulation)
Degree of Protection	IP 65 – IS 2147
Cable Connector	DIN 43650 / PG 7

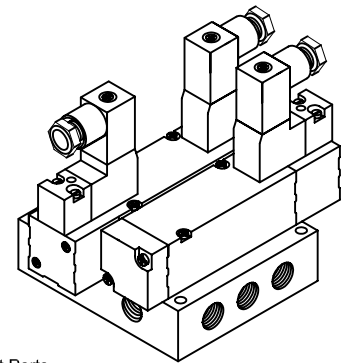
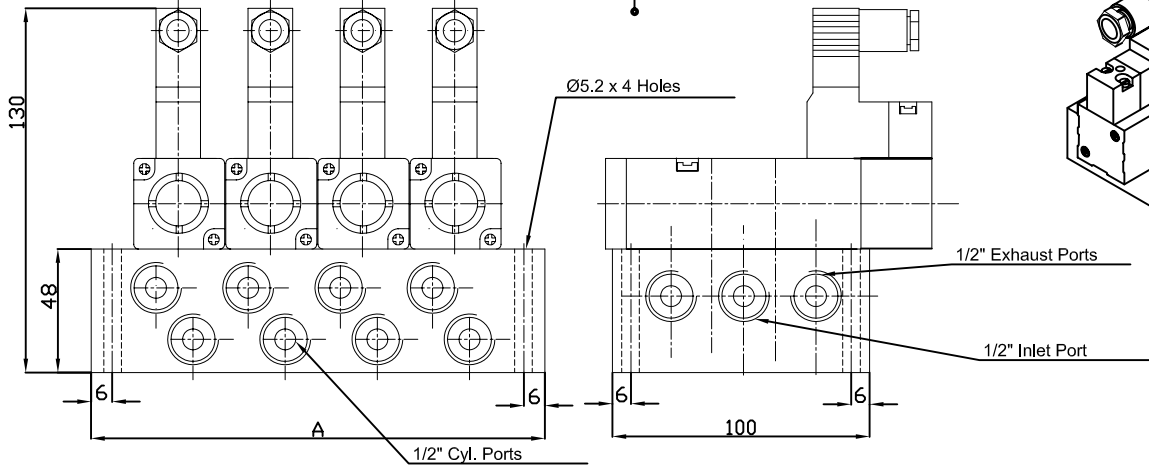
G3/8 & G1/2-5/2 SINGLE SOLENOID SUB BASE VALVE(COMPACT)



G3/8 & G1/2-5/2 DOUBLE SOLENOID SUB BASE VALVE(COMPACT)



GANG MANIFOLD 5/2 SUB BASE VALVE(COMPACT)



PART NOS.

Type	Part No.
3/8 " 5/2- Single Solenoid Sub base Valve	D83214
1/2 " 5/2- Single Solenoid Sub base Valve	D93214
Seal Kit for 5/2 Single Solenoid Valve	SK 93214

SPECIFICATION	Single Solenoid	Double Solenoid
Medium	Compressed Air, Filtered	
Design	Spool Type With Air Spring return	
Working Pressure	1.5 - 10 kg/sq.cm.	
Ambient/Fluid Temp.	-10 °C to 55 °C	
Cv(Nominal Flow)	2.2 (2200 lit/min.)	
Response Time at 5 Bar	ON Time:-10 m.s. OFF Time:- 30 m.s.	
Manual Override	Push type	
Optional Features	PIC with Light Indicator External Pilot Actuation	
Materials	Body,Spool :- Aluminium Seals:- NBR	

PART NOS.

Type	Part No.
3/8 " 5/2- Single Solenoid Sub base Valve	D83224
1/2 " 5/2- Single Solenoid Sub base Valve	D93224
Seal Kit for 5/2 Single Solenoid Valve	SK 93224

Ordering Information

For ordering gang manifold of 3 valves namely 2 nos. of 1/2" Single Solenoid Sub Base Valve and 1 no. of 1/2" Double Solenoid Sub Base Valve Following is the ordering key.

Manifold : 12PM-3

Valve : D93214 2 Nos.

Valve : D93224 1 No.

No.of Valves	2	3	4	5	6
Dimension 'A'	104.25	136.50	168.75	201	233.25
3/8"Manifold Part no.	38PM-2	38PM-3	38PM-4	38PM-5	38PM-6
1/2"Manifold Part no.	12PM-2	12PM-3	12PM-4	12PM-5	12PM-6

Note : 1) Max. no. of valves on a single manifold block is 6 nos.
2) Valves beyond 6 nos. offered in combination of manifolds (consult Engg. dept.)