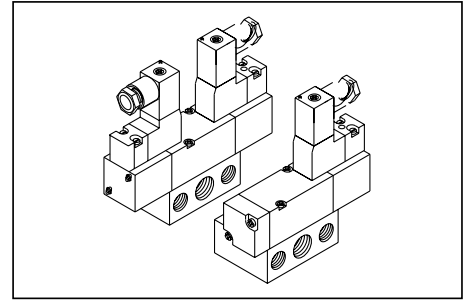


G 1/8 - 5/2 Solenoid Operated Sub Base Exel Valves

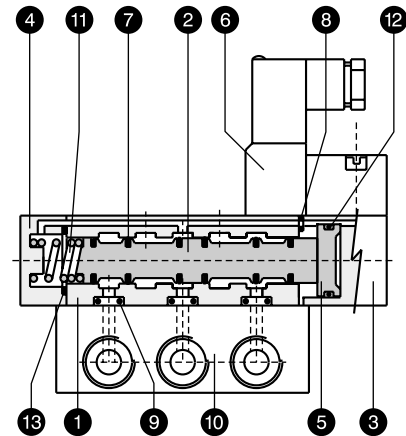
- Compact Design
- Low friction dynamic seals for better performance
- Available with 2.5 W coil
- Facility of Gang manifolding
- Manual override as a standard feature



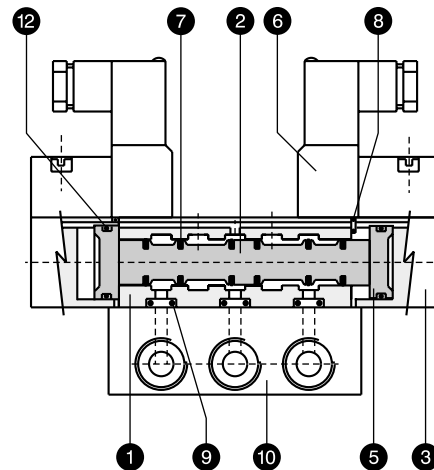
PART LIST

NO.	DESCRIPTION	QTY.	
		Single Solenoid	Double Solenoid
1	Valve body	1	1
2	Spool	1	1
3	Solenoid Housing	1	2
4	Air Spring Housing	1	-
5	Piston	1	2
6	Coil with plug in connector	1	2
7	Spool Seal	6	6
8	Body 'O' ring	1	2
9	Sub base 'O' ring	5	5
10	Sub base plate	1	1
11	Spring	1	-
12	Piston 'O' ring	1	2
13	Gasket	1	-

Seal kit consists of items (2+7), 8, 9, 12 & 13



5/2 Single Solenoid Sub Base Exel Valve

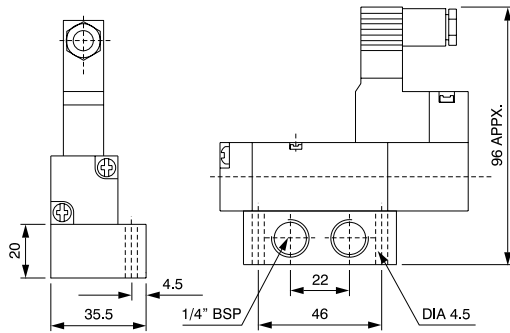
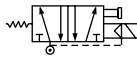


5/2 Double Solenoid Sub Base Exel Valve

COIL SPECIFICATIONS

TYPE	Valve with 2.5 coil	
Construction	SS Plunger with NBR seals, SS magnet core assembled with brass adaptor Pilot valve is intergral with the coil	
Coil Voltages	AC : 24,110, 230 V 50 Hz	DC: 12, 24 V
Voltage Range	± 10%	
Power Consumption	AC : 3 VA	DC : 2.5 WATT
Duty cycle	100%	
Class of Insulation	F	
Degree of protection	IP 65 - IS 2147	
Cable connector	PG 7 - DIN 43650	

G 1/8 - 5/2 SINGLE SOLENOID SUB BASE EXEL VALVE



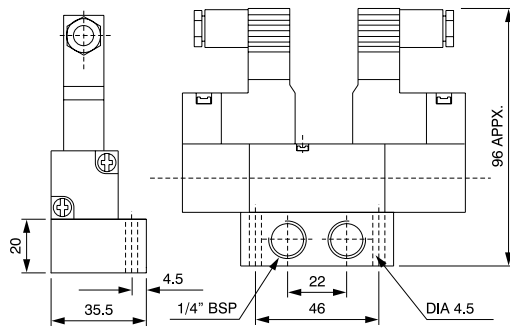
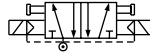
PART NOS.

Type	Valve	Seal Kit
5/2 Single Solenoid Exel Sub Base Valve with G 15 Coil	A 63014	SK 63014
5/2 Double Solenoid Exel Exel Sub Base Valve with G 15 Coil	A 63024	SK 63024

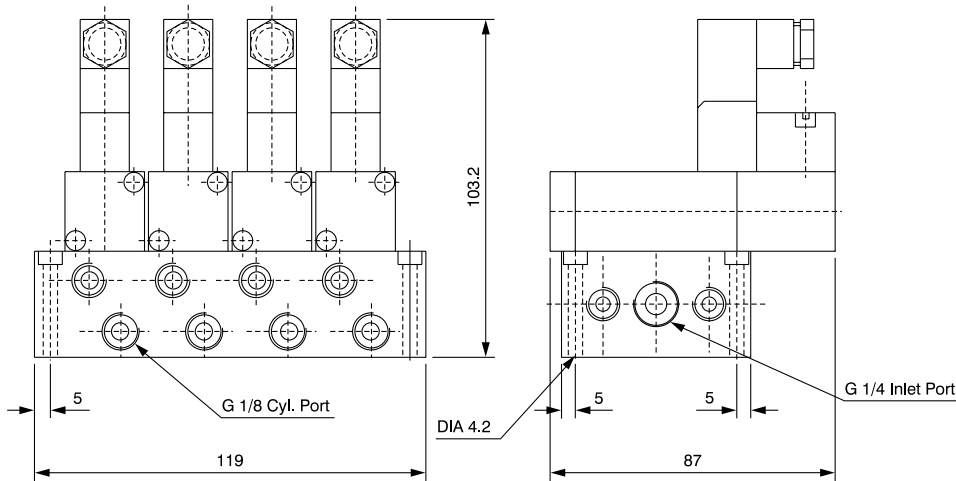
SPECIFICATIONS

	Single Solenoid	Double Solenoid
Medium	Compressed Air, Filtered	
Design	Spool type with air spring return	Spool type
Working pressure	1.5 - 10 Kg/sq.cm	1.0 - 10 Kg/sq.cm
Ambient / fluid temp.	- 10° C to 55° C	
Cv (Nominal flow)	0.5 (500 lit. / min)	
Response time at 5 bar	ON time - 10 m.s. OFF time - 20 m.s.	ON time - 10 m.s.
Manual Override	Push type	
Optional features	PIC with light indicator	
Materials	Body & Spool : Aluminium Seals :NBR	

G 1/8 - 5/2 DOUBLE SOLENOID SUB BASE EXEL VALVE



GANG MAINFOLD - 5/2 EXEL SUB BASE VALVE



Ordering Information

For ordering gang manifold of 3 valves namely 2 nos. of Single Solenoid Exel Sub Base Valve and 1 no. of Double Solenoid Exel Sub Base Valve following is the ordering key.

Manifold : EMB 5-3 1 no.
Valve : A 63014 2 nos.
Valve : A 63024 1 no.

Number of Valves	2	3	4	5	6
Dimension 'A'	72.5	99	125.5	152	178.5
Manifold Part No.	EMB 5-2	EMB 5-3	EMB 5-4	EMB 5-5	EMB 5-6

- Note : 1) Max. no. of valves on a single manifold block is 6 nos.
2) Valves beyond 6 nos. offered in combination of manifolds (consult Engg. Dept)
3) Valves that can be mounted are :
5/2 Single Solenoid Valve (A 63014)
5/2 Double Solenoid Valve (A 63024)