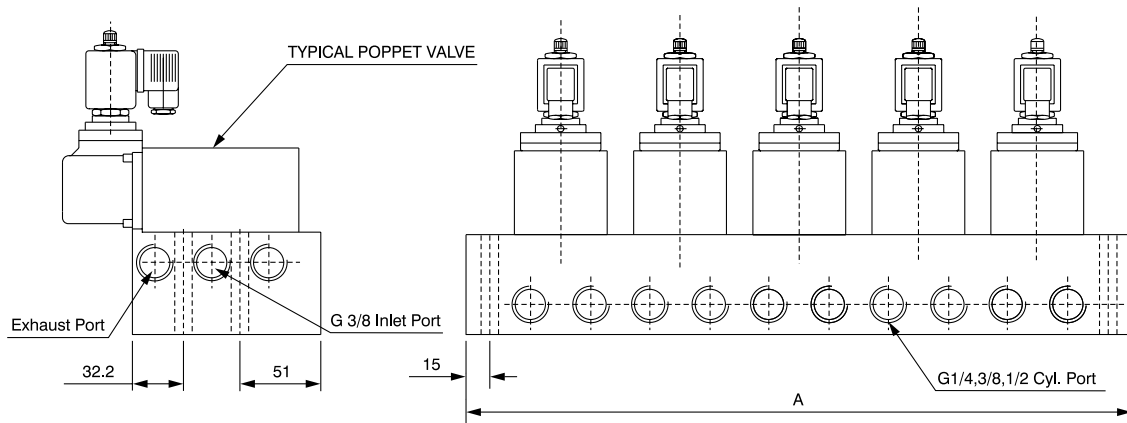
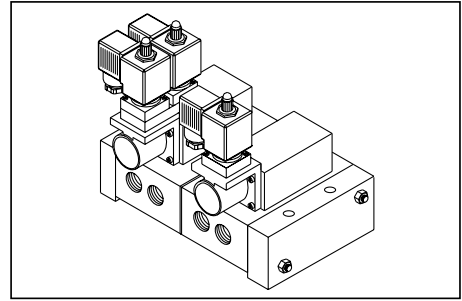


Gang Manifold - G 3/8 & G 3/4 Basic Poppet Valves.

- Compact unit with common inlet and exhaust with individual cylinder ports.
- Reduced piping and joints helps in prevention of leakages and saving of labour.
- 3/8" Basic Poppet Valves are offered with one piece manifold block, thereby preventing internal leakages.
- Exhaust air can be piped to convenient location to avoid pollution.



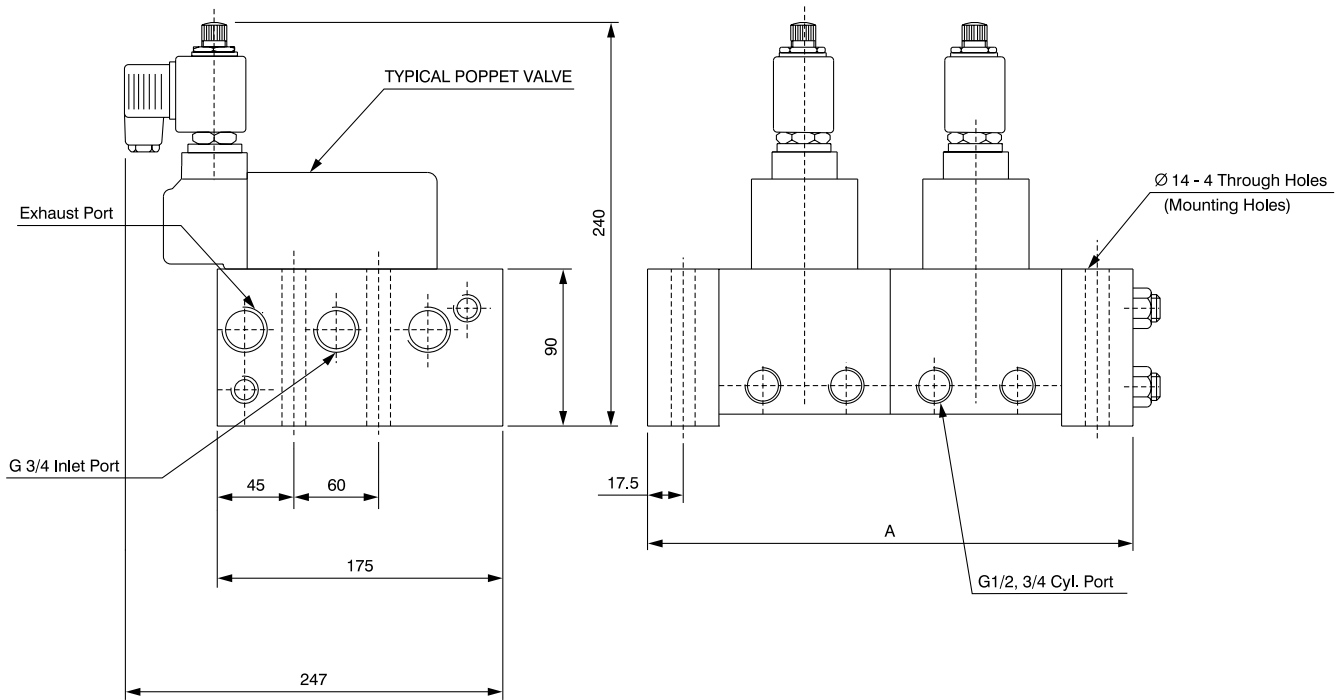
Gang Manifold - 3/8" Basic Poppet Valves

No. of Valve Units	2	3	4	5	6
Dimension 'A'	204	276	348	420	492
Manifold Part No.	PVB38 - 2	PVB38 - 3	PVB38 - 4	PVB38 - 5	PVB38 - 6

Note -

- 1) Max. no. of valves on a single manifold is 6 no.
- 2) Valves beyond 6 nos. offered in combination of manifolds (consult Engg. Dept)
- 3) Valves that can be mounted (Valve without base Plate)
 - 1/4", 3/8" & 1/2" Single Solenoid Valve (A 2455,A2456,A2461)
 - 1/4", 3/8" & 1/2" Double Solenoid Valve (A725MD,A726MD,A730MD)
 - 1/4", 3/8" & 1/2" Single Pilot Valve (2455PM, 2456PM, 2461PM)
 - 1/4", 3/8" & 1/2" Double Pilot Valve (725PM, 726PM, 730PM)
 - 1/4", 3/8" & 1/2" Hand Lever Valve (3320MH, 3321MH, 3326MH)
- 4) For technical details of valves refer -
 - G1/4" - G1"5/2 Poppet Solenoid Valve : PMV-32
 - G1/4" - G1"5/2 Poppet Pilot Valve : PMV-34
 - G1/4" - G1"5/2 Manually Operated Poppet Valve : PMV-31

GANG MANIFOLD - 3/4" BASIC POPPET VALVES



No. of Valve Units	2	3	4	5	6
Dimension 'A'	266	364	462	560	658
Manifold Part No.	PVB34 - 2	PVB34 - 3	PVB34 - 4	PVB34 - 5	PVB34 - 6

Note -

- 1) Max. no. of valves on a single manifold is 6 no.
- 2) Valves beyond 6 nos. offered in combination of manifolds (consult Engg. Dept)
- 3) Valves that can be mounted (Valve without base Plate)
 - 1/2", 3/4" & 1" Single Solenoid Valve (A2457M, A2458M, A2459M)
 - 1/2", 3/4" & 1" Double Solenoid Valve (A727MD, A728MD, A729MD)
 - 1/2", 3/4" & 1" Single Pilot Valve (2457PM, 2458PM, 2459PM)
 - 1/2", 3/4" & 1" Double Pilot Valve (727PM, 728PM, 729PM)
 - 1/2", 3/4" & 1" Hand Lever Valve (3322MH, 3323MH, 3324MH)
- 4) For technical details of valves refer -
 - G1/4" - G1"5/2 Poppet Solenoid Valve : PMV-32
 - G1/4" - G1"5/2 Poppet Pilot Valve : PMV-34
 - G1/4" - G1"5/2 Manually Operated Poppet Valve : PMV-31