

Gang Manifold-G1/4 High Flow & Modular Spool Valve

- Plate manifold is sleek in construction and the design eliminates possibility of inter-block leakage.
- Bar manifold uses standard Side Ported Valves and also offer compact manifolding.
- Sub Base gang beyond 6 valves is offered in combination of plate manifold or as block manifold.

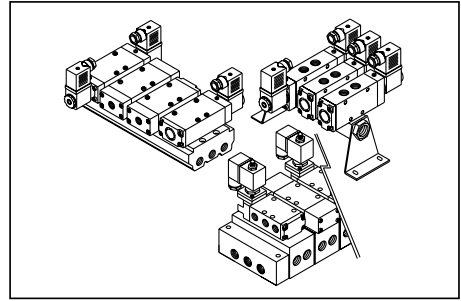
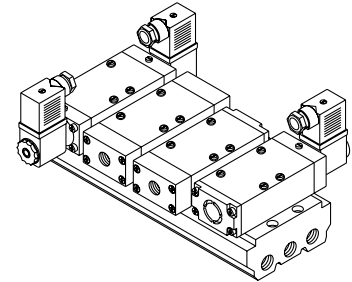
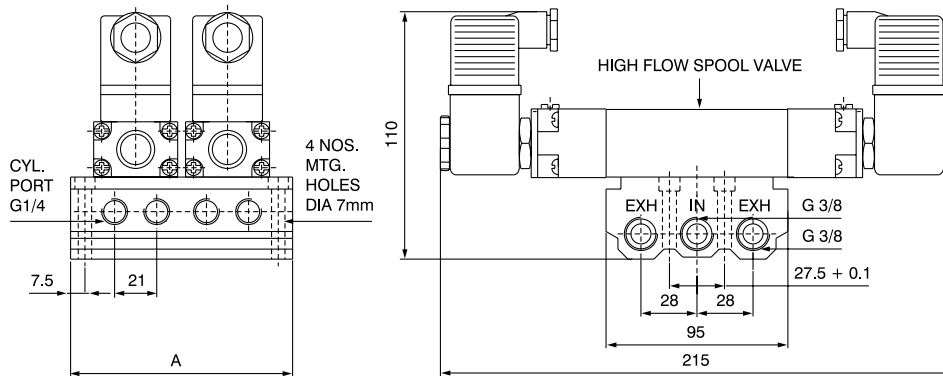


PLATE MANIFOLD WITH G1/4 HIGH FLOW VALVE (Upto 6 valves)



Note :

- 1) Max. no. of valves on a single manifold block is 6 nos.
- 2) Valves beyond 6 nos. can be offered in combination of manifolds (consult Engg. Dept.)
- 3) Valves that can be mounted are :
 - 5/2 Single Solenoid Valve (A43114)
 - 5/2 Double Solenoid Valve (A43124)
 - 5/2 Single Pilot Valve (43104PS)
 - 5/2 Double Pilot Valve (43104PP)

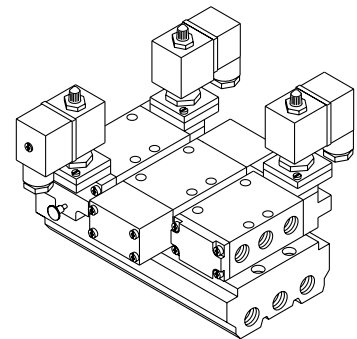
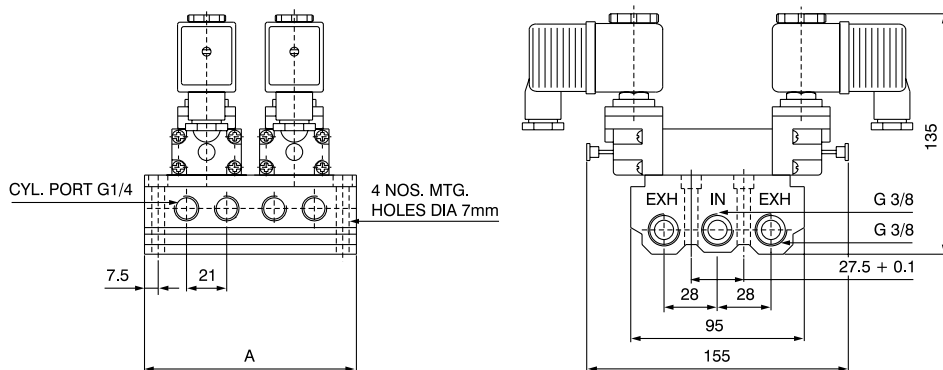
Number of Valves	2	3	4	5	6
Dimension 'A'	116	161	206	251	296
Manifold Part No.	PM-14-2	PM-14-3	PM-14-4	PM-14-5	PM-14-6

Ordering Information :

For ordering Gang Manifold of 3 valves viz. 2 nos. of Double Solenoid High Flow Valve & 1 no. of Single Pilot High Flow Valve. Following is the ordering key.

Manifold : PM-14-3 1 No.
 Valve : A43124 2 No.
 Valve : 43104PS 1 No.

PLATE MANIFOLD WITH G1/4 MODULAR SPOOL VALVE (Upto 6 valves)



Note :

- 1) Max. no. of valves on a single manifold block is 6 nos.
- 2) Valves beyond 6 nos. can be offered in combination of manifolds (consult Engg. Dept.)
- 3) Valves that can be mounted are :
 - 5/2 Single Solenoid Valve (A53114 / G53114)
 - 5/2 Double Solenoid Valve (A53124 / G53124)
 - 5/2 Single Pilot Valve (53104PS)
 - 5/2 Double Pilot Valve (53104PP)

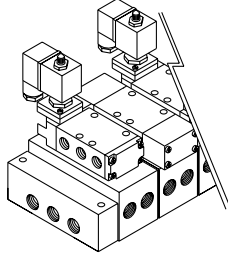
Number of Valves	2	3	4	5	6
Dimension 'A'	116	161	206	251	296
Manifold Part No.	PM-14-2	PM-14-3	PM-14-4	PM-14-5	PM-14-6

Ordering Information :

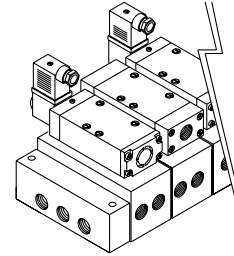
For ordering Gang Manifold of 3 valves viz. 2 nos. of Double Solenoid Modular Spool Valve & 1 no. of Single Solenoid Modular Spool Valve. Following is the ordering key.

Manifold : PM-14-3 1 No.
 Valve : A53124 2 No.
 Valve : A53114 1 No.

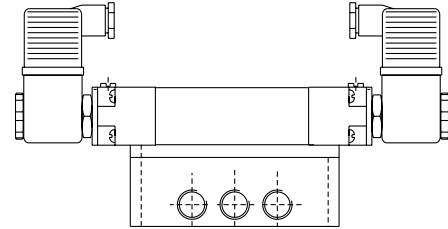
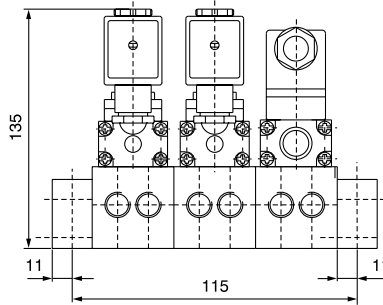
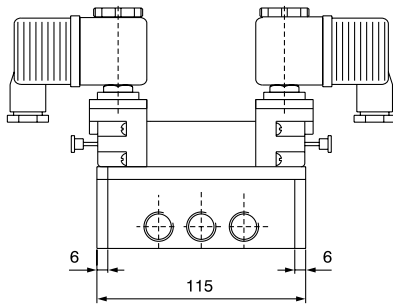
BLOCK MANIFOLD WITH G1/4 MODULAR SPOOL VALVE / G1/4 HIGH FLOW VALVE (Beyond 6 valves)



G 1/4 MODULAR SPOOL VALVE



G 1/4 HIGH FLOW VALVE



Note :

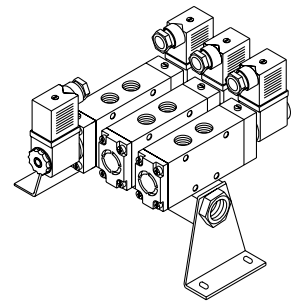
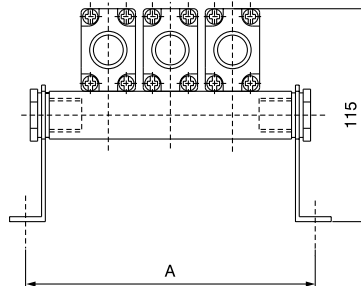
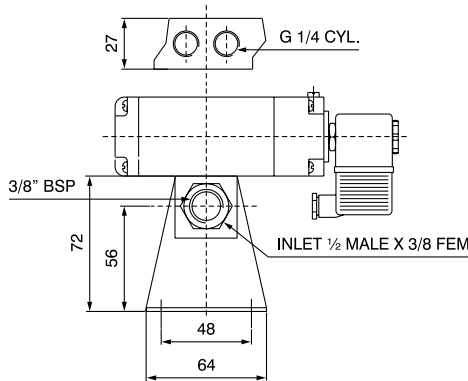
- 1) Max. no. of valves on a single manifold block is 12 nos.
- 2) Valves beyond 6 nos. offered in combination of manifolds (consult Engg. Dept.)
- 3) Valves that can be mounted are :
 - 5/2 Single Solenoid Valve (G53114/A53114/A43114)
 - 5/2 Double Solenoid Valve (G53124/A53124/A43124)
 - 5/2 Single Pilot Valve (53104PS/43104PS)
 - 5/2 Double Pilot Valve (53104PP/43104PP)

Number of Valves	7	8	9	10	11	12
Dimension 'A'	337	382	427	472	517	582
Manifold Part No.	MSB-7	MSB-8	MSB-9	MSB-10	MSB-11	MSB-12

Ordering Information :

For ordering Gang Manifold of 3 valves viz. 2 nos. of Single Solnoid High Flow Valve & 1 no. of Double Pilot Modular Spool Valve. Following is the ordering key.
 Manifold : MSB-3 1 No.
 Valve : A43114 2 No.
 Valve : 53104PP 1 No.

BAR MANIFOLD WITH G1/4 HIGH FLOW VALVE (Upto 6 valves)



Note :

- 1) Max. no. of valves on a single manifold block is 6 nos.
- 2) Valves beyond 6 nos. can be offered in combination of manifolds (consult Engg. Dept.)
- 3) Valves that can be mounted are :
 - 5/2 Single Solenoid Valve (A43014)
 - 5/2 Double Solenoid Valve (A43024)
 - 5/2 Single Pilot Valve (43004PS)
 - 5/2 Double Pilot Valve (43004PP)

Number of Valves	2	3	4	5	6
Dimension 'A'	121	154	187	220	253
Manifold Part No.	BM-14-2	BM-14-3	BM-14-4	BM-14-5	BM-14-6

Ordering Information :

For ordering Gang Manifold of 3 valves viz. 2 nos. of Single Solenoid High Flow Valve & 1 no. of Single Pilot High Flow Valve. Following is the ordering key.
 Manifold : BM-14-3 1 No.
 Valve : A43014 2 No.
 Valve : 43004PS 1 No.