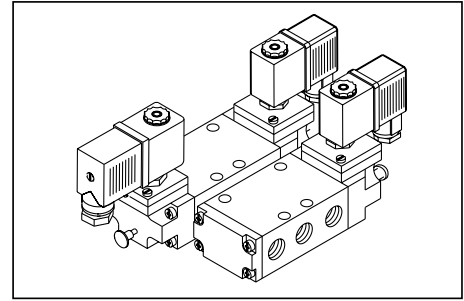


G 1/4 - 5/2 Modular Spool Solenoid Valves (A53 Series)

- Sturdy and rugged in construction.
- Available in side ported and subbase design.
- Solenoid operated valves available with spring return as standard, external pilot as optional.
- Offered in G25 design coil.
- Facility of gang manifolding for sub base design.



PART LIST

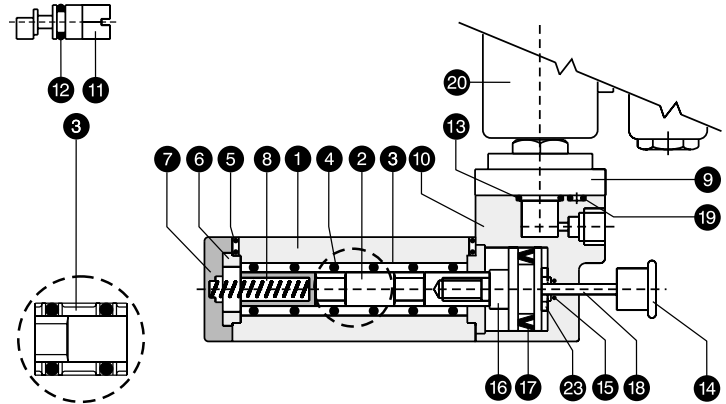
NO.	DESCRIPTION	QTY.	
		Single Sol.	Double Sol.
1	Valve body	1	1
2	Spool	1	1
3	Shell	5	5
4	'O' ring (Cage)	6	6
5	'O' ring (Body)	4	4
6	Bush	2	2
7	Spring housing	1	-
8	Spring	1	-
9	Tube Assly.	1	2
10	Solenoid housing	1	2
11	M. O. pin	1	2
12	'O' ring for M. O. pin	1	2
13	'O' ring for tube assly.	1	2
14	Knob for plunger	1	2
15	'O' ring for plunger	1	2
16	Piston	1	2
17	'U' cup for piston	1	2
18	Plunger	1	2
19	'O' ring (Sol. housing)	1	2
20	Coil assembly (G 25)	1	2
21	Sub base 'O' ring*	5	5
22	Sub base plate*	1	1
23	Washer	1	2

Seal kit consists of items 3, 4, 5, 12, 13, 15, 17, 19 & 21 (* For sub base valve only.)

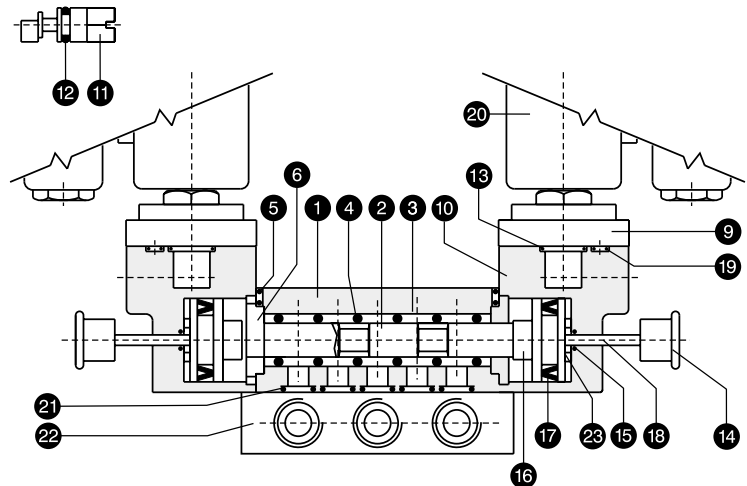
COIL SPECIFICATIONS

Type	Valve with G25 coil
Tube Assy. construction	SS plunger with NBR seals, SS magnet core assembled with brass adaptor.
Coil voltages	AC : 24, 48, 110, 240 V 50Hz (Other voltages on request) DC : 12, 24, 48 V AC : 12, 24, 48 V 50 Hz DC : 48, 110 V
Voltage range	± 10%
Power consumption	AC : Pull 7.5 VA, Hold : 5 VA DC : 3 WATT
Duty cycle	100%
Class of insulation	F (Winding wire of class 'H' insulation)
Degree of protection	IP 65 - IS 2147
Cable connector	DIN 43650 - PG 9

* Modular spool valve is also offered with flame-proof coil duly certified by CMRS Dhanbad for grades I, IIA, IIB. Refer data sheet PMV-07 for details.

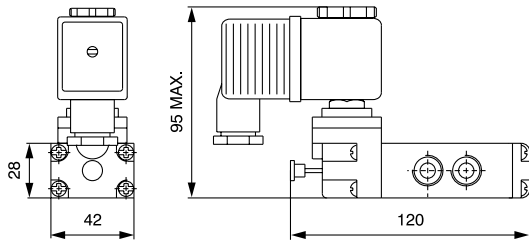
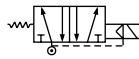


5/2 Single solenoid valve (Side ported design)

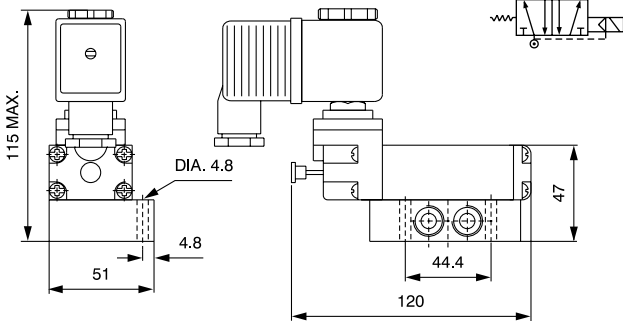


5/2 Double solenoid valve (Sub base design)

G 1/4 - 5/2 SINGLE SOLENOID MODULAR SPOOL VALVE



Side Ported Design



Sub Base Design

PART NOS.

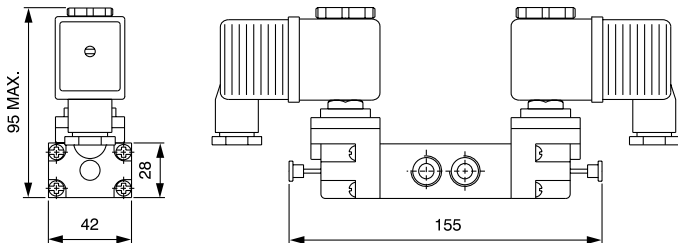
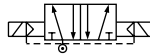
	Side ported valve	Valve with sub base plate	Seal kit for side ported valve	Seal kit for sub base valve
Sol. operated Spring return	A 53014	A 53214*	SK 53014	SK 53214
Base plate for Sub base valve	BS 14			

*A 53114 for sub base valve without sub base plate

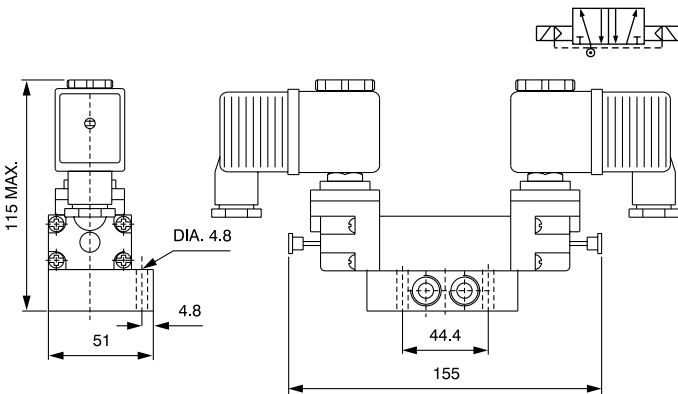
SPECIFICATIONS

Medium	Compressed air, Filtered
Design	Spool type with spring return
Working pressure	2.5 - 10 Bar
Ambient / fluid temp.	- 10° C to 85° C
Cv (Nominal flow)	1.0 (1000 lit/min.)
Optional feature	PIC with light indicator External pilot actuation Manual override (screw type)
Response time at 5 Bar	On time : 10 ms. Off time : 35 ms.
Materials	Body : Aluminium Seals : NBR

G1/4 - 5/2 DOUBLE SOLENOID MODULAR SPOOL VALVE



Side Ported Design



Sub Base Design

PART NOS.

	Side ported valve	Valve with sub base plate	Seal kit for side ported valve	Seal kit for sub base valve
Sol. operated	A 53024	A 53224	SK 53024	SK 53224
Base plate for Sub base valve	BS 14			

*A 53124 for sub base valve without sub base plate

SPECIFICATIONS

Medium	Compressed air, Filtered
Design	Spool type
Working pressure	1.5 - 10 Bar
Ambient / fluid temp.	- 10° C to 85° C
Cv (Nominal flow)	1.0 (1000 lit/min.)
Optional feature	PIC with light indicator External pilot actuation Manual override (screw type)
Response time at 5 Bar	On time : 10 ms.
Materials	Body : Aluminium Seals : NBR