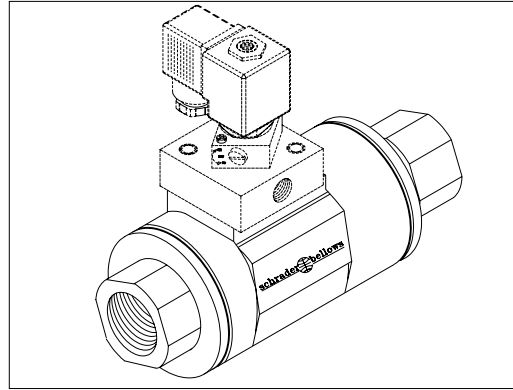


G1 AXIAL VALVE

- Streamlined construction.
- Compact.
- Viton seals as standard.
- Provision to mount 3/2, 5/2 & 5/3 Namur Valve.
- Convertable from normally closed to normally open or double acting.
- All stainless steel construction makes this valve suitable for variety of medias.



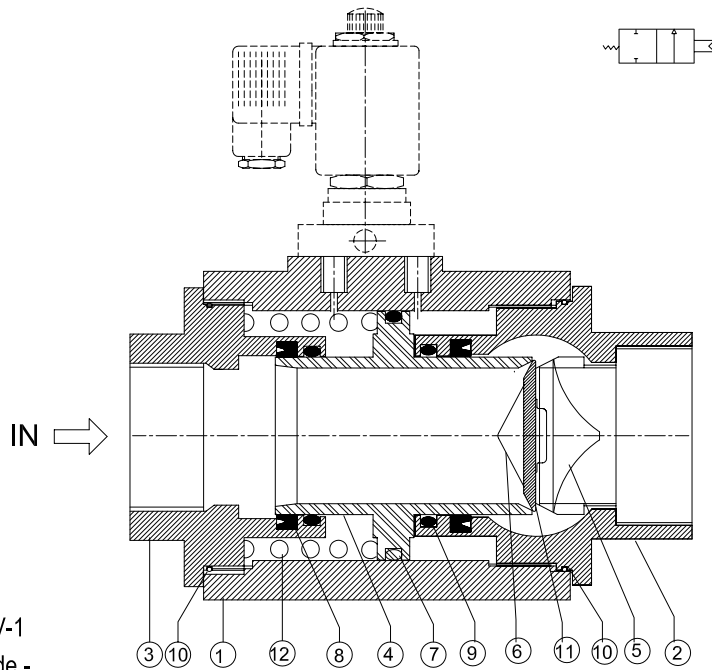
PART LIST

No.	Description	Qty
1.	Body	1
2.	Front Cover	1
3.	Rear cover	1
4.	Piston	1
5.	Seat	1
6.	Clamp	1
7.	Piston "O" ring	1
8.	"U" Cup	2
9.	Cover "O" ring	2
10.	Body "O" ring	1
11.	Seal	1
12.	Spring	1

Seal Kit Consists of 7,8,9,10 & 11 Part No. : SK-AXV-1

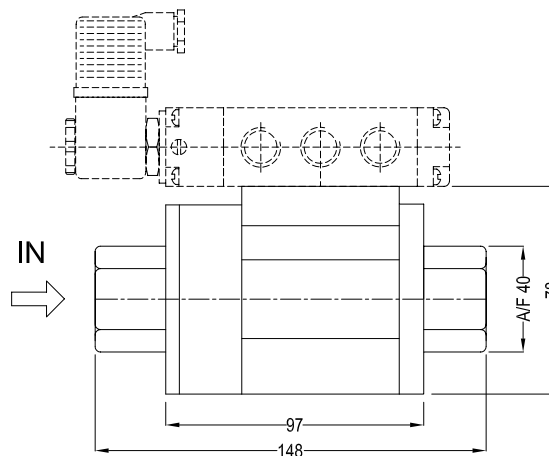
By changing the position of spring from rear cover side - to front cover side the valve become normally open.

By removing the spring it becomes double acting.



SPECIFICATION:

Part No.	AXV-1
Medium	Air, Water, Oil, Chemicals compatible with viton
Design	Piston type with Spring return
Working Pressure	1.8 - 10 kg/sq.cm.
Ambient/Fluid Temp.	-10 °C to 180° C
Cv (Nominal Flow)	Water : 2400 L/min, Air : 15800 L/min
Response Time at 5 Bar	ON Time:-10 m.s. OFF Time:- 35 m.s.
Materials	Body,Cover,Piston :- S.S. 304 Seals:- Viton Weight: 2.5 Kg.
Actuation	Directly connecting to 1/8"BSP port or using SDL G1/8"-3/2 Namur Valve or G 1/4" -3/2 G 1/4"-5/2 Namur High Flow Valve



G1 AXIAL VALVE

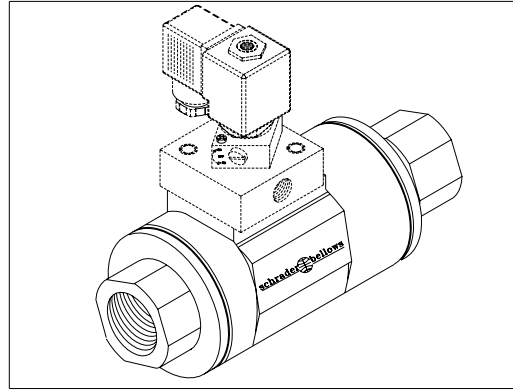
schrader bellows

ISO-9002 CERTIFIED

PMV-46

G2 AXIAL VALVE

- Streamlined construction.
- Compact.
- Viton seals as standard.
- Provision to mount 3/2, 5/2 & 5/3 Namur Valve.
- Convertable from normally closed to normally open or double acting.
- All stainless steel construction makes this valve suitable for variety of medias.

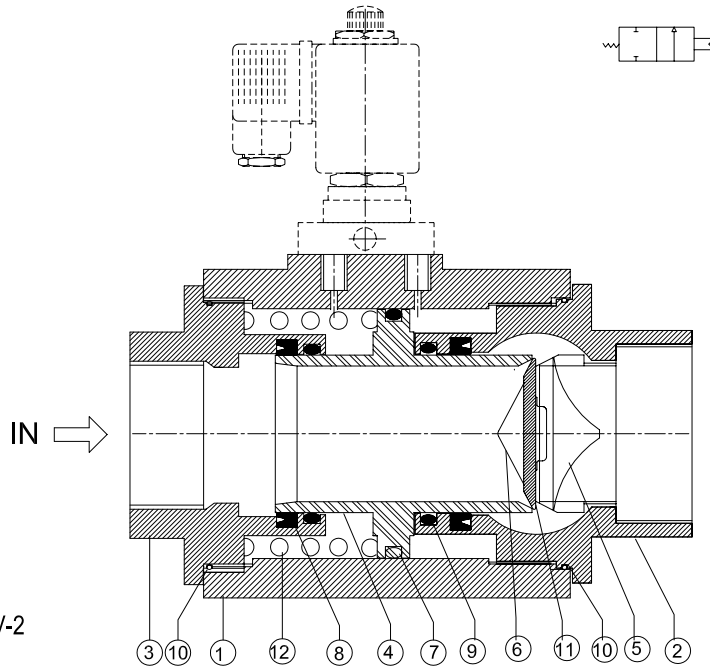


PART LIST

1.	Body	1
2.	Front Cover	1
3.	Rear cover	1
4.	Piston	1
5.	Seat	1
6.	Clamp	1
7.	Piston "O" ring	1
8.	"U" Cup	2
9.	Cover "O" ring	2
10.	Body "O" ring	1
11.	Seal	1
12.	Spring	1

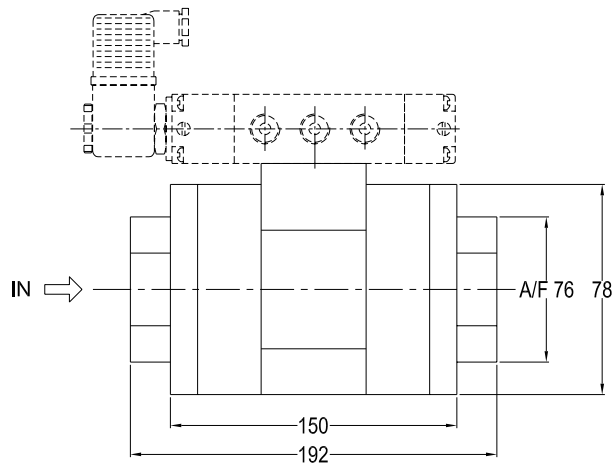
Seal Kit Consists of 7,8,9,10 & 11 Part No. : SK-AXV-2

For details of Namur valve refer to sheet no. PMV-07



SPECIFICATION:

Part No.	AXV-2
Medium	Air, Water, Oil, Chemicals compatible with viton
Design	Piston type with Spring return
Working Pressure	1.8 - 10 kg/sq.cm.
Ambient/Fluid Temp.	-10 °C to 180° C
Nominal Flow	Water : 11500 L/min, Air : 75000 L/min
Response Time at 5 Bar	ON Time:-10 m.s. OFF Time:- 35 m.s.
Materials	Body, Cover, Piston :- S.S. 304 Seals:- Viton Weight: 7 Kg.
Actuation	Directly connecting to 1/8" BSP port or using SDL G1/8"-3/2 Namur Valve or G 1/4" -3/2 G 1/4"-5/2 Namur High Flow Valve



G2 AXIAL VALVE

schrader bellows

ISO-9001 CERTIFIED

PMV-46