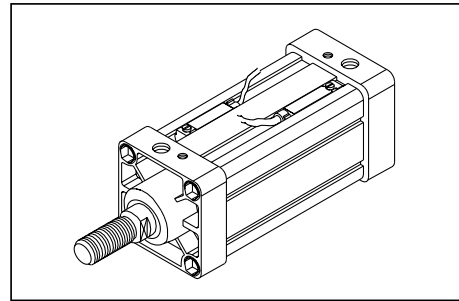


Ø 32 - Ø 100 VDMA / ISO Square Tube Reed Switch Cylinders

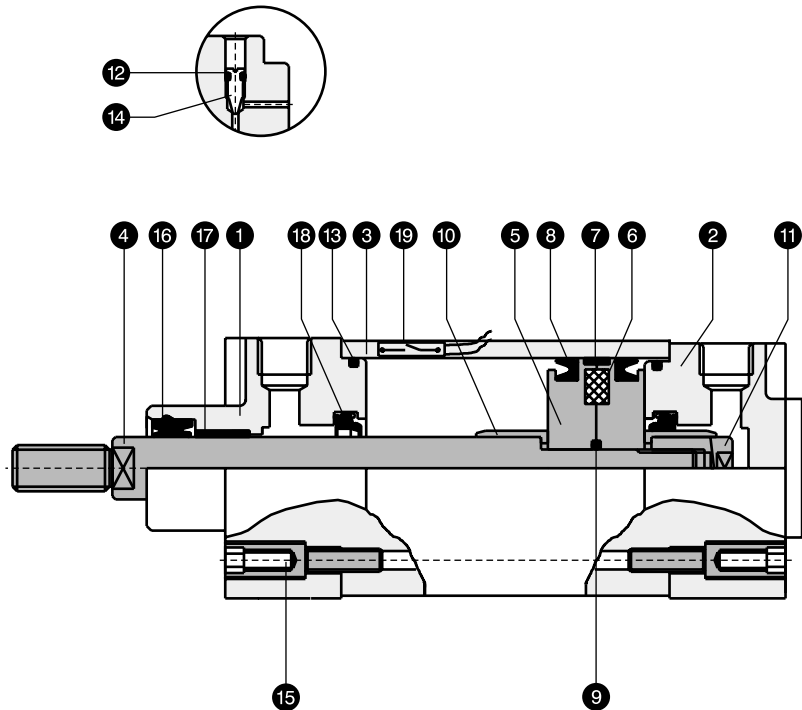
- Reed switch facility for electrical interfacing to carry out multiple electropneumatic functions.
- Reed switches suitable for voltages upto 240 V AC / DC.
- Cylinder dimensions conforming to ISO 6431 and VDMA 24562.
- LED provided as standard feature with reed switch.



PART LIST

NO.	DESCRIPTION	QTY.
1	Front cover	1
2	Rear cover	1
3	Square tube	1
4	Piston rod	1
5	Piston	2
6	Magnet	1
7	Wear ring	1
8	Piston 'U' cup	2
9	'O' ring for piston	1
10	Cushioning sleeve	2
11	Piston rod nut	1
12	'O' ring for cushioning	2
13	'O' ring for cover	2
14	Cushioning screw	2
15	Tie bolt	8
16	Rod cum wiper seal	1
17	Bush bearing	1
18	Cushioning seals	2
19	Reed switch assembly	As reqd.

Seal kit consists of items 8, 9, 12, 13, 16 & 18.



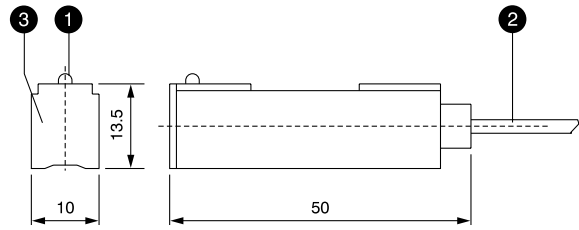
CYLINDER SPECIFICATIONS

Medium	Compressed air, Filtered
Design	Pneumatic piston cylinder with provision of magnet for reed switch actuation
Max. operating pressure	10 bar
Temperature range	-10° to 85° C
Standard stroke lengths	25, 40, 50, 80, 100, 125, 160, 200, 250 & 300 mm (Cylinders offered upto 2000 mm stroke length. Non standard strokes are also offered as per customer requirement.)
Material	a) End covers : Aluminium b) Piston rod : Stainless steel (En 8 optional) c) Tube : Superfinished anodized aluminium square tube with provision for reed switch mounting d) Seals : Polyurethane / NBR (Viton optional) e) Mountings : M.S. / C.I.

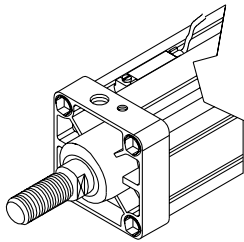
Basic cylinder and mounting dimensions are as per ISO/VDMA Square tube cylinder. Refer data sheet PMC-21 for details.

PART LIST : Reed Switch

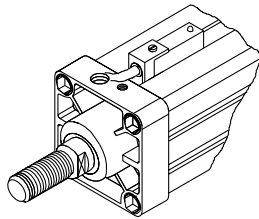
NO.	DESCRIPTION	QTY.
1	Light emitting diode	1
2	Two cored cable	1
3	Housing	1



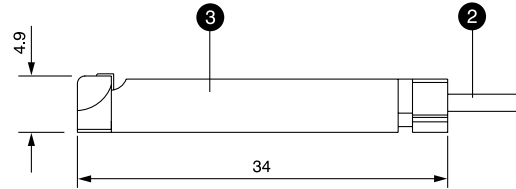
Reed Switch (RSW 3210)



Mounting of Reed Switch
RSSQ 3210
on Square tube cylinder



Mounting of Reed Switch
RSW 3210
on Square tube cylinder

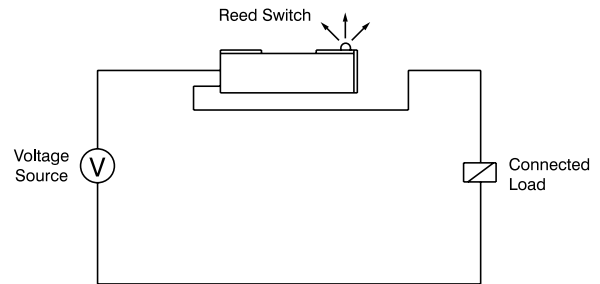
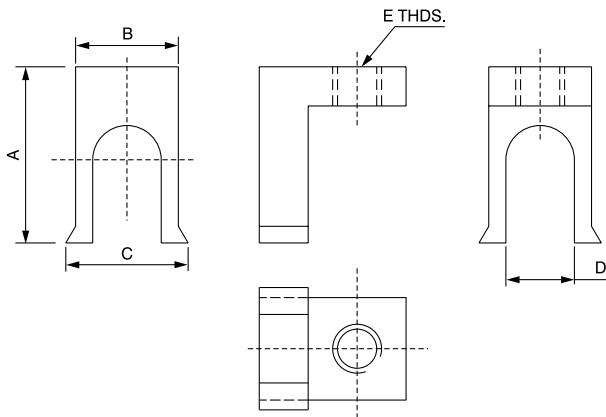


Reed Switch (RSSQ 3210)

REED SWITCH SPECIFICATIONS

Part no.	RSSQ 3210	RSW 3210
Suitable for	ø 32 to ø 100 mm ISO / VDMA Square tube cylinder	
Design	Normally open reed, actuated by magnetic field	
Mounting	Direct mounting in slot provided on the square tube	Fitted with bracket in slot provided on the square tube
Connection	Two cored PVC cable, 2 meters long (2 X 0.14 mm ²)	
Max. switching capacity	6 W	10 W
Max. switching current	0.20 amps.	0.50 amps.
Voltage range	5 - 130V AC/DC for RSSQ 3210A 5 - 240V AC/DC for RSSQ 3210B	24 - 240 Volts, AC or DC
Degree of protection	IP 67	
Temperature range	-5° C to 60° C	

DETAILS OF BRACKET FOR REED SWITCH (RSSQ3210)



NOTE : Please ensure that connected electrical load and the switching current are within specified limits. Excess of any parameter can cause failure of reed switch.

BORE SIZE	A	B	C	D	E THDS.
32 mm to 100 mm	18	10.5	12.5	7.5	M4X0.7P