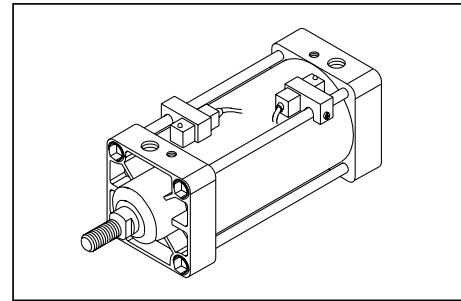


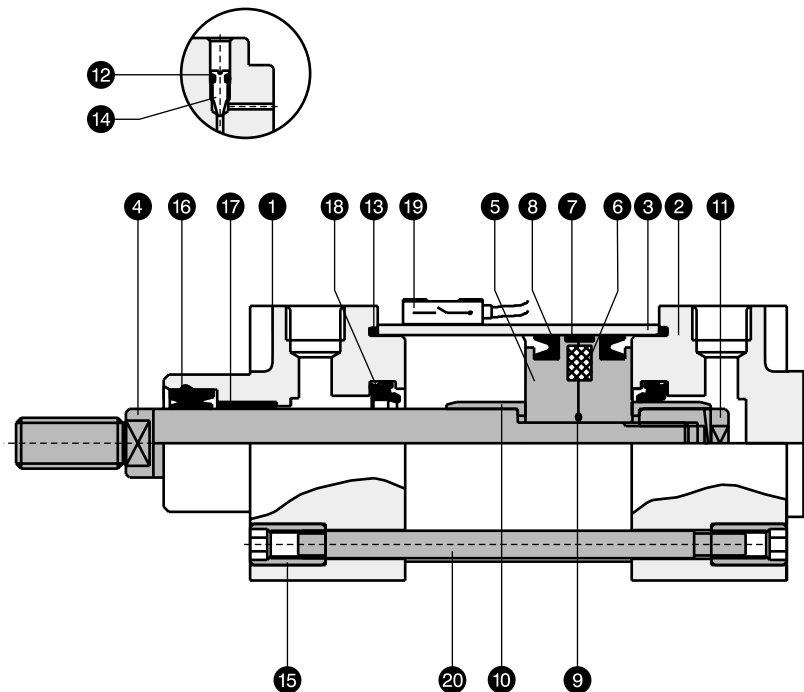
Ø 32 - Ø 100 ISO / VDMA Round Tube Reed Switch Cylinders

- Reed switch facility for electrical interfacing to carry out multiple electropneumatic functions.
- Light emitting diode provided as a standard feature with reed switch.
- Cylinder dimensions conforming to ISO 6431 and VDMA 24562.



PART LIST

NO.	DESCRIPTION	QTY.
1	Front cover	1
2	Rear cover	1
3	Tube	1
4	Piston rod	1
5	Piston	2
6	Magnet	1
7	Wear ring	1
8	Piston 'U' cup	2
9	'O' ring for piston	1
10	Cushioning sleeve	2
11	Piston rod nut	1
12	'O' ring for cushioning	2
13	'O' ring for cover	2
14	Cushioning screw	2
15	Tie rod nut	8
16	Rod cum wiper seal	1
17	Bush bearing	1
18	Cushioning seals	2
19	Reed switch assembly	As reqd.
20	Tie rod	4



Seal kit consists of items 8, 9, 12, 13, 16 & 18.

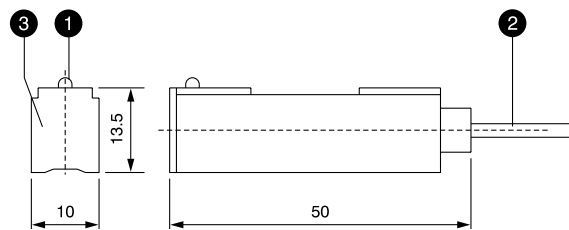
CYLINDER SPECIFICATIONS

Medium	Compressed air, Filtered
Design	Pneumatic piston cylinder with provision of magnet for reed switch actuation
Max. operating pressure	10 bar
Temperature range	-10° to 85° C
Standard stroke lengths	25, 40, 50, 80, 100, 125, 160, 200, 250 & 300 mm (Cylinders offered upto 2000 mm stroke lengths. Non standard strokes are also offered as per customer requirement.)
Material	a) End covers : Aluminium b) Piston rod : EN8 Hard chrome plated (Stainless Steel optional) c) Tube : Brass with grey powder coating d) Seals : NBR (Viton optional) e) Mountings : M.S. / C.I.

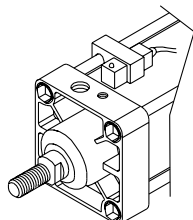
Basic cylinder and mounting dimensions are as per ISO/VDMA Round tube cylinder. Refer data sheet PMC-06 for details.

PART LIST : Reed Switch

NO.	DESCRIPTION	QTY.
1	Light emitting diode	1
2	Two cored cable	1
3	Housing	1



Reed Switch (RSW 3210)

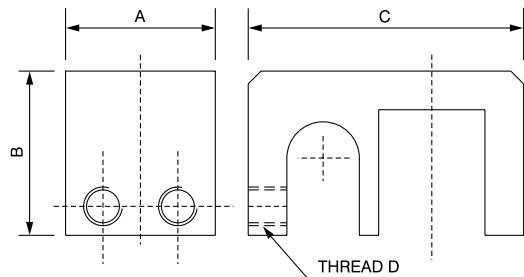


Mounting of Reed Switch RSW 3210 on Round tube cylinder

REED SWITCH SPECIFICATIONS

Part no.	RSW 3210
Suitable for	∅ 32 to ∅ 100 mm ISO Round tube cylinders
Design	Normally open reed, actuated by magnetic field
Mounting	With reed switch bracket mounted on tie rod
Connection	Two cored PVC cable, 2 meters long (2 X 0.14 mm ²)
Max. switching capacity	10 W
Max. switching current	0.50 amps.
Voltage range	24 - 240 Volts, AC or DC
Degree of protection	IP 67
Temperature range	-5° C to 60° C

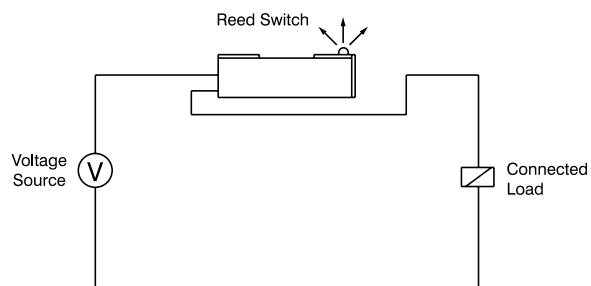
DIMENSIONAL DETAILS OF BRACKET FOR REED SWITCH (RSW 3210)



BORE SIZE	A	B	C	D THD.
32 mm	15.5	16	25	M4X0.7 P
40 mm	15.5	16	26.5	M4X0.7 P
50 mm	15.5	16	28.5	M4X0.7 P
63 mm	15.5	16	28.5	M4X0.7 P
80 mm	15.5	16	32	M4X0.7 P
100 mm	15.5	16	32	M4X0.7 P

PART NOS. FOR BRACKET

Cyl. size	∅ 32	∅ 40	∅ 50	∅ 63	∅ 80	∅ 100
Part no.	RSB 32	RSB 40	RSB 63	RSB 80		
Design	Mounted type bracket to be mounted on the tie rod with the help of the screws at any desired position.					
Material	Black anodized aluminium.					



NOTE : Please ensure that connected electrical load and the switching current are within specified limits. Excess of any parameter can cause failure of reed switch.