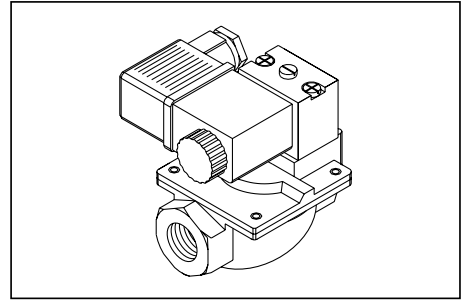


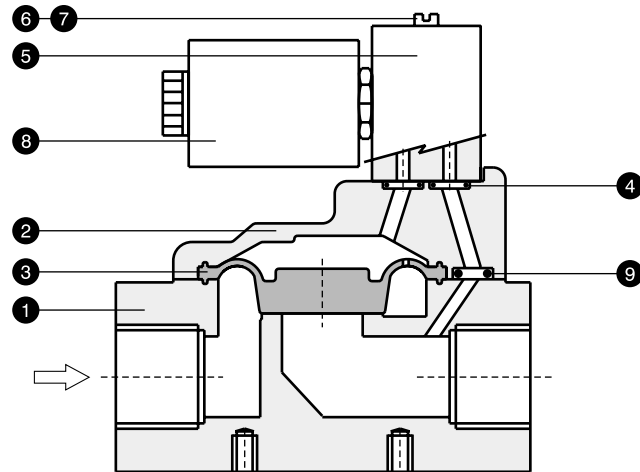
## G 1/4, G 3/8, G 1/2 - 2 Way Diaphragm Operated Valves

- Suitable for air, water and light oil.
- Inline construction with provision of base mounting.
- Compact design with 4 W ( G 25 ) coil as standard feature.
- Faster response time due to diaphragm design.
- Manual override as a standard feature.



### PART LIST

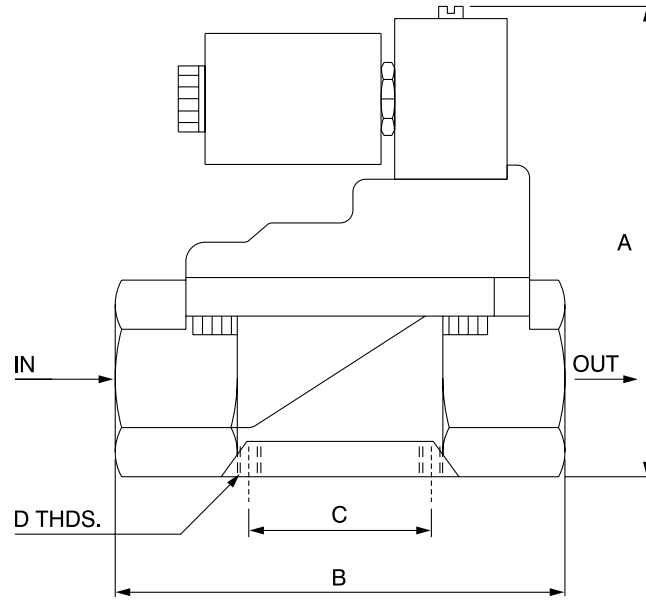
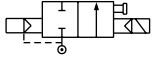
| NO. | DESCRIPTION                   | QTY. |
|-----|-------------------------------|------|
| 1   | Body                          | 1    |
| 2   | Cover                         | 1    |
| 3   | Diaphragm                     | 1    |
| 4   | 'O' ring ( Solenoid housing ) | 2    |
| 5   | Solenoid housing              | 1    |
| 6   | M. O. pin                     | 1    |
| 7   | 'O' ring ( M. O. pin )        | 1    |
| 8   | Tube & coil assembly          | 1    |
| 9   | 'O' ring ( Body )             | 1    |



Seal kit consists of items 3, 4, 7 & 9.

| Port size                           | 1/4" BSP  | 3/8" BSP         | 1/2" BSP         |
|-------------------------------------|---|------------------|------------------|
| Part no.                            | GN 8200   | GN 8300          | GN 8400          |
| Medium                              | Compressed air ( Filtered ), Light oil ( Under 50 cst ), Water  |                  |                  |
| Design                              | Diaphragm operated differential pressure 'ON-OFF' valve with solenoid actuation                                   |                  |                  |
| Mounting                            | Inline / Base mounted   |                  |                  |
| Working pressure                    | 0.5 to 10 bar   |                  |                  |
| Ambient temperature                 | -10° to 85° C   |                  |                  |
| Response time of valve at 6 bar pr. | On Time : 35 ms      Off Time : 110 ms  |                  |                  |
| Orifice size                        | 6.5 mm  | 9.5 mm           | 13 mm            |
| Cv ( Nominal flow )                 | 1.5 (1500 l/min)  | 2.1 (2100 l/min) | 2.4 (2400 l/min) |
| Material                            | a) Body, Cover : Brass<br>b) Diaphragm : Nylon reinforced NBR<br>c) Solenoid housing : Brass                      |                  |                  |
| Optional feature                    | PIC with light indicator  |                  |                  |
| Coil voltages                       | AC : 110V, 240V, 50Hz      Other voltages on request ( AC : 12,24,48V, 50 Hz.)<br>DC : 24V      ( DC : 48, 110V ) |                  |                  |
| Voltage range                       | ±10 %   |                  |                  |
| Power consumption ( G 25 Coil )     | AC : Pull - 7.5 VA, Hold - 6 VA      DC : 4 Watt  |                  |                  |
| Class of insulation                 | F ( Winding wire of class 'H' insulation )  |                  |                  |
| Degree of protection                | IP 65 - IS 2147   |                  |                  |
| Cable connector                     | PG 9 ( DIN 43650 )  |                  |                  |

**G 1/4, G 3/8, G 1/2 - 2/2 DIAPHRAGM OPERATED VALVE**



| PORT SIZE | A  | B  | C  | D THDS. | E WIDTH |
|-----------|----|----|----|---------|---------|
| G 1/4     | 74 | 72 | 25 | M 5     | 50      |
| G 3/8     | 74 | 72 | 25 | M 5     | 50      |
| G 1/2     | 74 | 72 | 25 | M 5     | 50      |