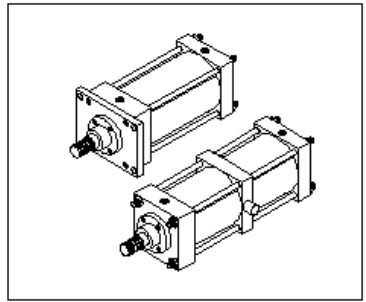
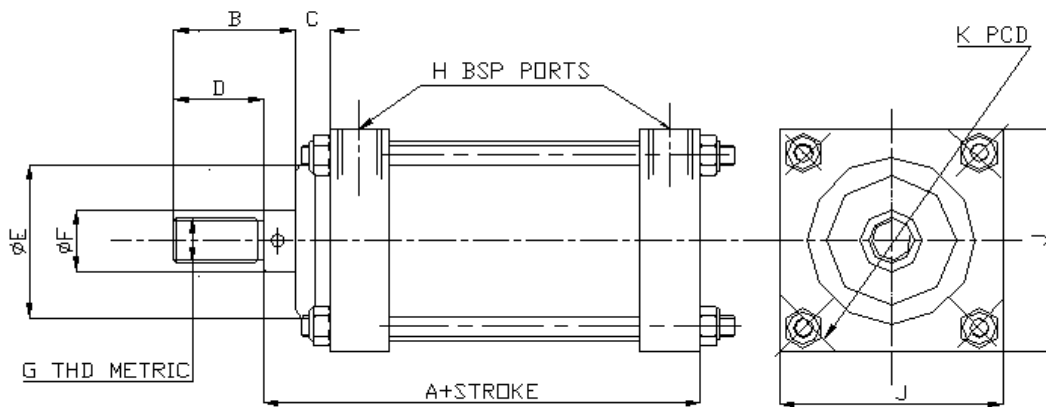


### Schrader Hydraulic Cylinders : 50 & 140 Bar Series

- Offered with pressure ratings of 50 bar and 140 bar and bore size up to 200mm.
- All M.S. construction makes the cylinder suitable for heavy-duty applications.
- Besides above range, Cylinders conforming to ISO 6020/2 are also offered.
- Special custom-built cylinders with non-standard construction or specification, also offered.



### HYDRAULIC BASIC CYLINDERS



### MEDIUM DUTY HYDRAULIC CYLINDER (WORKING PRESSURE 50 Kg/cm<sup>2</sup>)

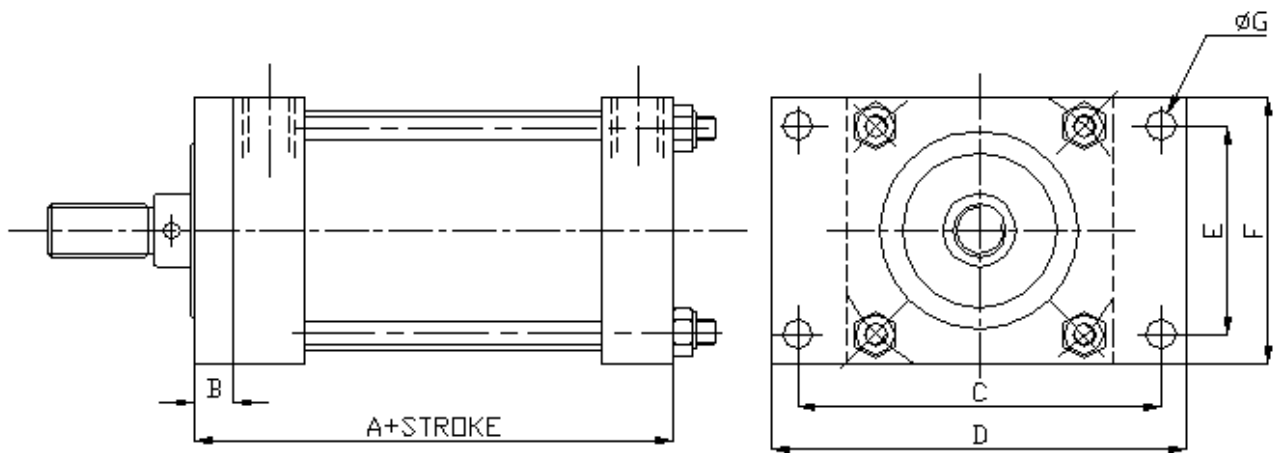
Bore∅	A	B	C	D	E	F	G	H	J	K
40	123	30	15	20	35	16	12x1.5	3/8BSP	55	57
50	137	35	15	25	40	20	16x1.5	3/8BSP	64	70
63	142	35	30	25	40	20	16x1.5	3/8BSP	80	88
80	163	50	35	35	45	25	24x2.0	1/2BSP	94	105
100	175	60	45	45	55	32	30x2.0	1/2BSP	115	128
125	187	65	50	50	65	36	33x2.0	1/2BSP	142	160
150	213	75	55	55	70	40	36x2.0	3/4BSP	170	190
200	235	95	65	70	80	50	45x3.0	3/4BSP	220	245

### HEAVY DUTY HYDRAULIC CYLINDER (WORKING PRESSURE 140 Kg/cm<sup>2</sup>)

Bore∅	A	B	C	D	E	F	G	H	J	K
38	170	40	12	25	40	20	16x1.5	1/2BSP	64	63
50	179	45	12	30	45	25	20x2.0	1/2BSP	78	76
63	189	55	35	40	55	32	27x2.0	1/2BSP	90	92
76	217	65	50	50	65	40	36x3.0	3/4BSP	108	110
100	235	80	55	60	70	45	42x3.0	3/4BSP	130	138
125	263	90	70	65	75	50	45x3.0	3/4BSP	165	175
150	318	100	80	75	90	63	52x3.0	1 BSP	190	208
200	357	130	100	100	115	80	72x3.0	1 1/2BSP	245	270

## Schrader Hydraulic Cylinders

### FRONT PLATE MOUNTING



**MEDIUM DUTY HYDRAULIC CYLINDER  
(WORKING PRESSURE 50 Kg/cm<sup>2</sup>)**

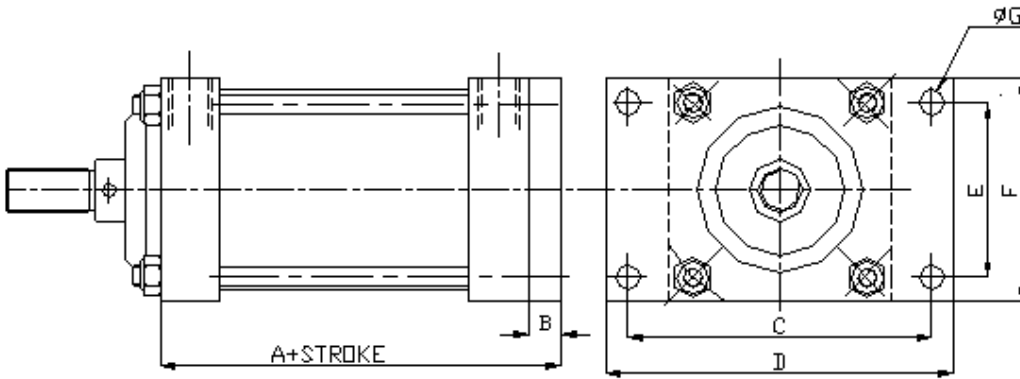
**HEAVY DUTY HYDRAULIC CYLINDER  
(WORKING PRESSURE 140 Kg/cm<sup>2</sup>)**

Bore∅	A	B	C	D	E	F	G
40	108	10	71	86	40	55	9
50	122	10	80	95	48	64	9
63	114	12	110	130	60	80	11
80	129	16	120	140	70	94	11
100	131	16	138	162	90	115	13
125	140	18	170	198	114	142	15
150	158	20	202	234	138	170	17
200	169	24	260	300	180	220	21

Bore∅	A	B	C	D	E	F	G
38	155	12	87	108	40	64	11
50	168	16	105	130	50	78	13
63	155	16	118	142	64	90	13
76	172	20	142	176	74	108	17
100	183	23	172	214	88	130	21
125	194	26	212	260	118	165	23
150	243	30	245	300	135	190	27
200	265	38	310	375	180	245	33

# Schrader Hydraulic Cylinders

## REAR PLATE MOUNTING



### MEDIUM DUTY HYDRAULIC CYLINDER (WORKING PRESSURE 50 Kg/cm<sup>2</sup>)

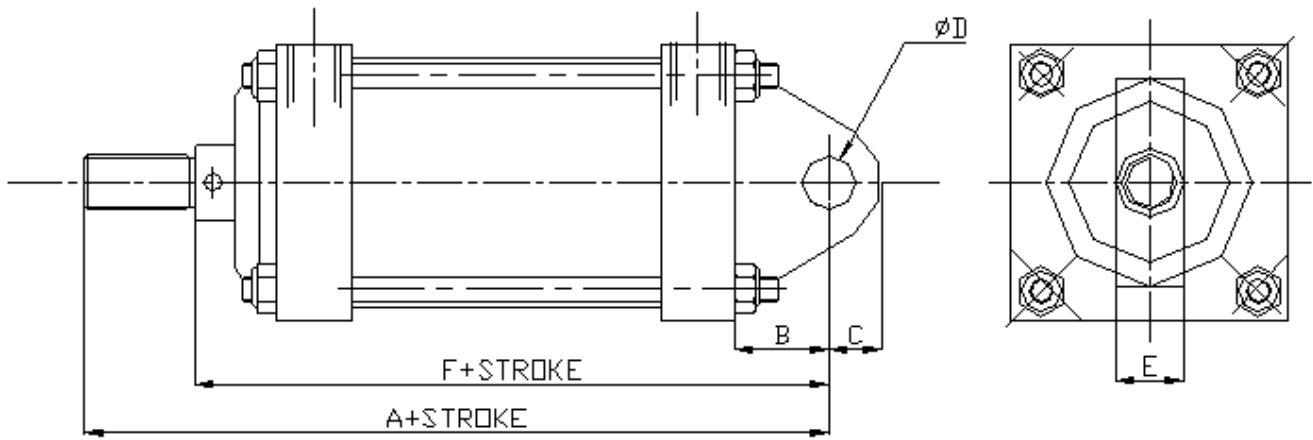
Bore∅	A	B	C	D	E	F	G
40	108	10	71	86	40	55	9
50	122	10	80	95	48	64	9
63	114	12	110	130	60	80	11
80	129	16	120	140	70	94	11
100	131	16	138	162	90	115	13
125	140	18	170	198	114	142	15
150	158	20	202	234	138	170	17
200	169	24	260	300	180	220	21

### HEAVY DUTY HYDRAULIC CYLINDER (WORKING PRESSURE 140 Kg/cm<sup>2</sup>)

Bore∅	A	B	C	D	E	F	G
38	155	12	87	108	40	64	11
50	168	16	105	130	50	78	13
63	155	16	118	142	64	90	13
76	172	20	142	176	74	108	17
100	183	23	172	214	88	130	21
125	194	26	212	260	118	165	23
150	243	30	245	300	135	190	27
200	265	38	310	375	180	245	33

# Schrader Hydraulic Cylinders

## REAR PIVOT MOUNTING



### MEDIUM DUTY HYDRAULIC CYLINDER (WORKING PRESSURE 50 Kg/cm<sup>2</sup>)

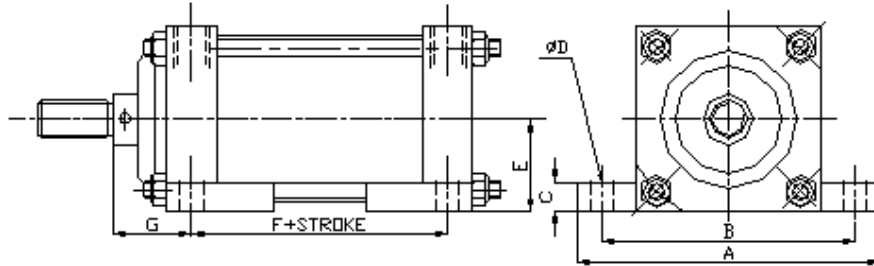
Bore $\phi$	A	B	C	D	E	F
40	163	20	14	12	18	143
50	182	20	14	12	18	157
63	192	25	18	16	22	167
80	228	30	22	20	32	193
100	250	30	22	20	32	205
125	272	35	207	25	35	222
150	308	40	30	28	40	253
200	355	50	32	30	45	285

### HEAVY DUTY HYDRAULIC CYLINDER (WORKING PRESSURE 140 Kg/cm<sup>2</sup>)

Bore $\phi$	A	B	C	D	E	F
38	215	20	14	12	20	190
50	239	30	22	20	30	209
63	259	30	22	20	35	219
76	307	40	28	25	38	257
100	345	50	38	35	50	285
125	393	65	48	45	60	323
150	468	75	58	50	65	393
200	557	100	78	75	75	457

# Schrader Hydraulic Cylinders

## SIDE LUG MOUNTING



### MEDIUM DUTY HYDRAULIC CYLINDER (WORKING PRESSURE 50 Kg/cm<sup>2</sup>)

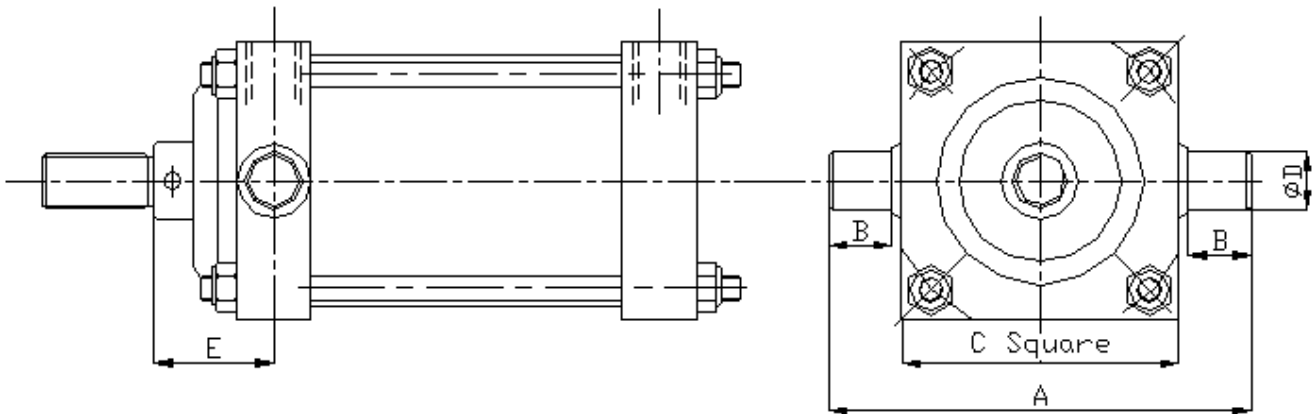
BoreØ	A	B	C	D	E	F	G
40	96	78	12	9	27.5	57	52
50	112	92	12	11	32	66	57
63	128	108	12	11	40	71	57
80	148	124	16	13	47	75	70
100	172	148	16	13	57.5	78	80
125	216	184	20	17	71	84	86
150	260	220	25	21	85	93	99
200	330	280	30	26	110	100	114

### HEAVY DUTY HYDRAULIC CYLINDER (WORKING PRESSURE 140 Kg/cm<sup>2</sup>)

BoreØ	A	B	C	D	E	F	G
38	112	92	13	11	32	79	74
50	134	110	16	13	39	82	80
63	164	132	20	17	45	88	84
76	198	158	25	21	54	98	98
100	228	184	28	23	65	105	109
125	275	225	32	27	82.5	110	129
150	335	270	35	33	95	143	148
200	420	340	45	40	122.5	145	179

# Schrader Hydraulic Cylinders

## FRONT TRUNNION CYLINDERS



MEDIUM DUTY HYDRAULIC CYLINDER  
(WORKING PRESSURE 50 Kg/cm<sup>2</sup>)

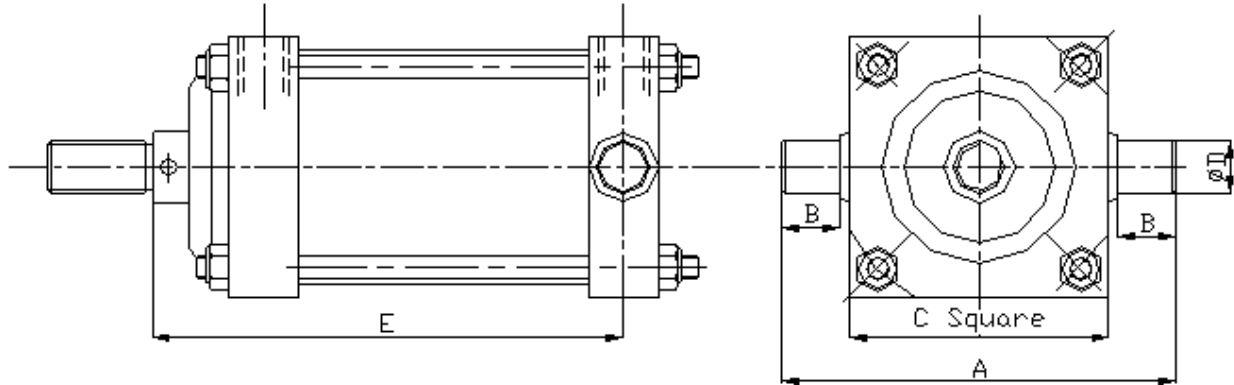
Bore $\phi$	A	B	C	D	E
40	92	16	55	16	52
50	110	20	64	20	57
63	126	20	80	20	57
80	146	25	94	25	70
100	172	25	115	25	80
125	206	28	142	28	86
150	240	30	170	30	99
200	310	40	220	40	114

HEAVY DUTY HYDRAULIC CYLINDER  
(WORKING PRESSURE 140 Kg/cm<sup>2</sup>)

Bore $\phi$	A	B	C	D	E
38	120	25	64	25	74
50	145	30	78	30	80
63	170	35	90	35	83
76	194	38	108	38	97
100	220	40	130	40	109
125	260	42	165	42	129
150	300	50	190	50	143
200	405	75	245	75	178

# Schrader Hydraulic Cylinders

## REAR TRUNNION CYLINDERS



**MEDIUM DUTY HYDRAULIC CYLINDER  
(WORKING PRESSURE 50 Kg/cm<sup>2</sup>)  
REAR TRUNNION MTG.**

Bore∅	A	B	C	D	E
40	92	16	55	16	109
50	110	20	64	20	123
63	126	20	80	20	128
80	146	25	94	25	145
100	172	25	115	25	157
125	206	28	142	28	169
150	240	30	170	30	192
200	310	40	220	40	214

**HEAVY DUTY HYDRAULIC CYLINDER  
(WORKING PRESSURE 140 Kg/cm<sup>2</sup>)**

Bore∅	A	B	C	D	E
38	120	25	64	25	154
50	145	30	78	30	162
63	170	35	90	35	172
76	194	38	108	38	196
100	220	40	130	40	214
125	260	42	165	42	240
150	300	50	190	50	292
200	405	75	245	75	331

### PART NOS.

Every Hydraulic Cylinder will have a reference drawing and the part no. will be related to the drawing. The part no. will be issued along with Order Acknowledgement.