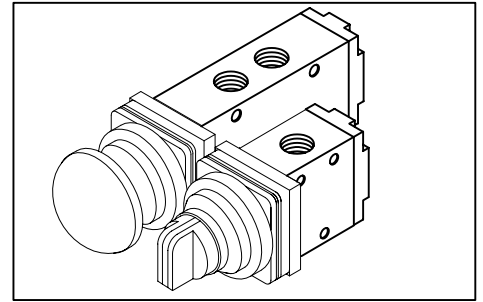


1/4 "–5/2, 3/2 Manually Operated High Flow Valve

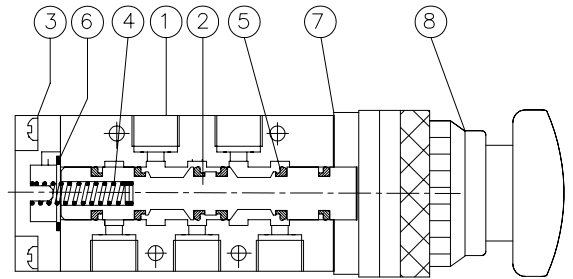
- \* Streamlined Construction
- \* Contoured dynamic seals ensures longer life
- \* Higher Flow Capacities
- Option of spring return mushroom button and detent type selector switch



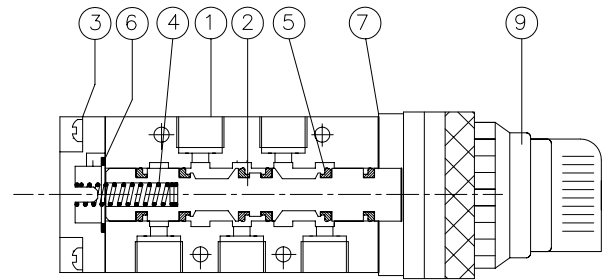
PART LIST- 5/2 WAY VALVES

NO.	DESCRIPTION	QTY.	
		Selector switch	Mushroom Button
1	Valve body	1	1
2	Spool	1	1
3	Spring housing	1	1
4	Spring	1	1
5	Spool Seal	6	6
6	Gasket	1	1
7	Mounting Plate	1	1
8	Mushroom type knob	-	1
9	Selector switch	1	-

Seal kit consists of items (2+ 5) & 6



5/2 High Flow Mushroom button valve

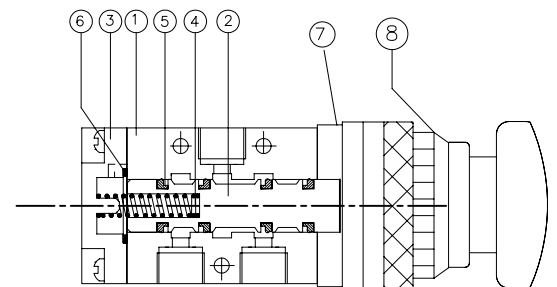


5/2 High Flow Selector switch valve

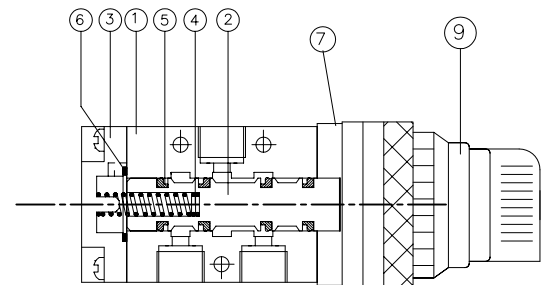
PART LIST- 3/2 WAY VALVES

NO.	DESCRIPTION	QTY.	
		Selector switch	Mushroom Button
1	Valve body	1	1
2	Spool	1	1
3	Spring housing	1	1
4	Spring	1	1
5	Spool Seal	4	4
6	Gasket	1	1
7	Mounting Plate	1	1
8	Mushroom type knob	-	1
9	Selector switch	1	-

Seal kit consists of items (2+ 5) & 6

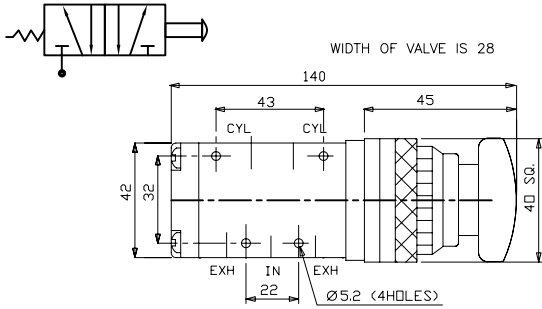


3/2 High Flow Mushroom button valve

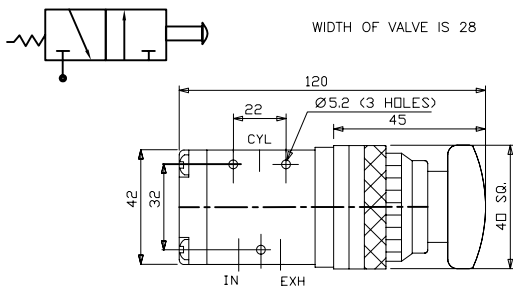


3/2 High Flow Selector switch valve

## G 1/4-5/2 & 3/2 MUSHROOM TYPE HIGH FLOW VALVE



5/2 High Flow Mushroom Button Valve



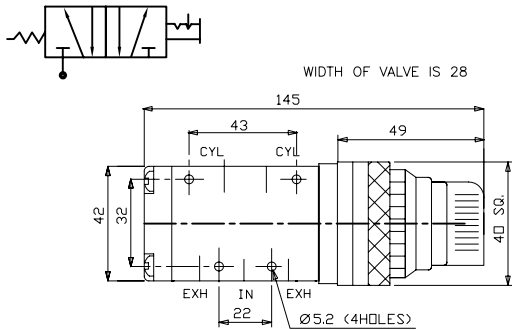
3/2 High Flow Mushroom Button Valve

Type	Side ported Valve	Seal kit
5/2 Mushroom Button Valve	43004 MS	SK 43004
3/2 Mushroom Button Valve	43003 MS	SK 43003

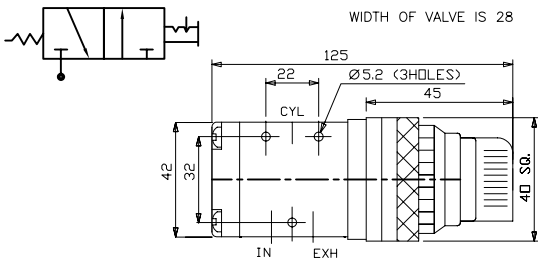
### SPECIFICATION

Medium	Compressed Air, Filtered
Design	Spool Type With Air Spring Return
Working Pressure	10 Bar max.
Ambient/Fluid Temp.	-10° C to 55° C
Cv(Nominal Flow)	1.3 (1300 lit/min)
Materials	Body,Spool :- Aluminium Seals:- NBR

## G 1/4-5/2 & 3/2 SELECTOR SWITCH HIGH FLOW VALVE



5/2 High Flow Selector switch Valve



3/2 High Flow Selector switch Valve

Type	Side ported Valve	Seal kit
5/2 Selector switch Valve	43004 SS	SK 43004
3/2 Selector switch Valve	43003 SS	SK 43003

### SPECIFICATION

Medium	Compressed Air, Filtered
Design	Spool Type With Air Spring Return
Working Pressure	10 Bar max.
Ambient/Fluid Temp.	-10° C to 55° C
Cv(Nominal Flow)	1.3 (1300 lit/min)
Materials	Body,Spool :- Aluminium Seals:- NBR