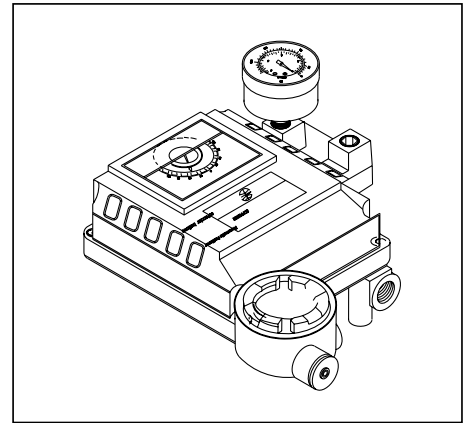


## Electro - Pneumatic Positioner - SDEP 1000R

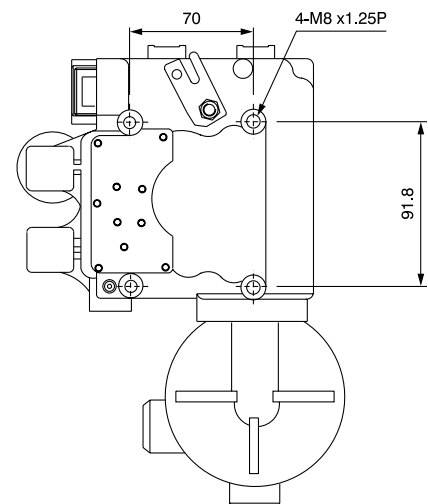
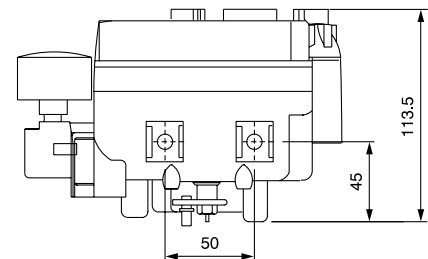
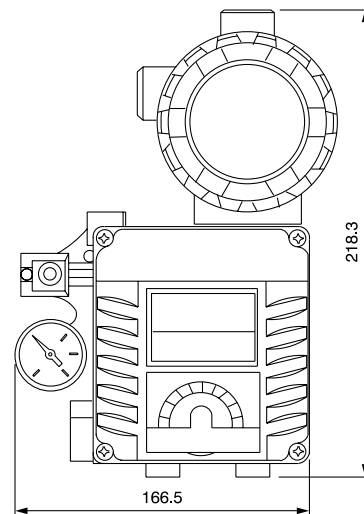
Electro Pneumatic positioner is an useful interlinking device controlling cylinder / valve movement by means of electric controller or control system with an analog output signal of DC 4 to 20 mA or split range. The salient features of Schrader Electro Pneumatic Positioner are :

- There is no resonance between 5-200 Hz.
- Works effectively under adverse environmental conditions.
- It is economical due to minimal air consumption.
- Provision of orifice-disc to prevent hunting in small size actuators.
- The convenient changeover from single acting to double acting and vice versa.



## SPECIFICATIONS

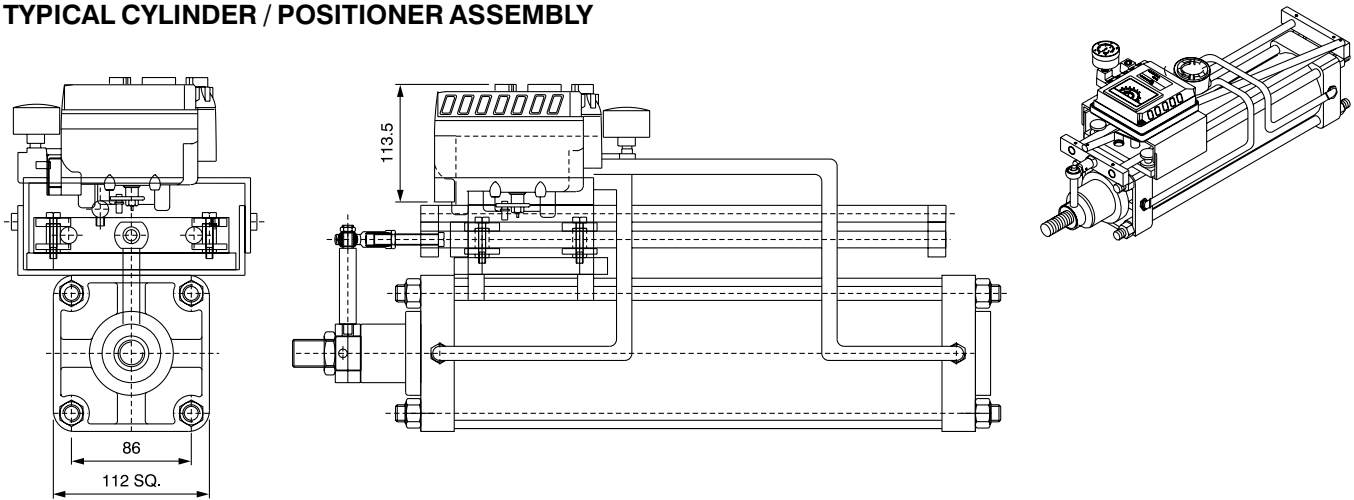
ITEM		SINGLE	DOUBLE
Input Signal		DC 4-20mA	
Impedance		250 ± 15 Ohm	
Supply Pressure		1.4-7Kgf/cm <sup>2</sup> ( 20-100 Psi )	
Stroke (Linear/Rotary)		50 to 1200 m.m. / 0 to 90°	
Air Connection		PT ( NPT ) 1/4"	
Gauge Connection		PT ( NPT ) 1/8"	
Conduit		PF 1/2" ( G1/2 )	
Protection		IP 66	
Ambient	Operating	-20°-70°C	
Temp.	Explosion	-20°-60°C	
Linearity		± 1% F.S.	± 2% F.S.
Hysteresis		± 1% F.S.	
Sensitivity		± 0.2% F.S.	± 0.5% F.S.
Repeatability		± 0.5% F.S.	
Air Consumption		3LPM ( Sup=1.4Kgf/cm <sup>2</sup> , 20psi )	
Flow Capacity		80LPM ( Sup=1.4Kgf/cm <sup>2</sup> , 20psi )	
Material		Aluminium Die Casting	
Weight		2.8Kg. ( 6.2 lb )	



## OPTIONAL FEATURES

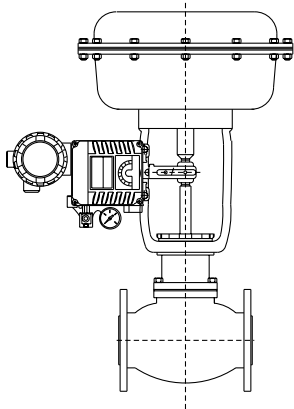
Position Transmitter	Internal Arrangement
	Input Signal : 0-90° ( Obtained From Positioner )
	Output Signal : 4-20mA DC
	Load Resistance : 0-600 ohm
	Supply Voltage : 15-30 V DC
Limit Switch	Internal Arrangement
	Rating : AC 0.6A 125V-16A 250V
	Switch Type : 2 x SPDT
Explosion Proof	Ex dm IIB T5
	Ex dm IIB T5
	Ex dm IIB T6

**TYPICAL CYLINDER / POSITIONER ASSEMBLY**



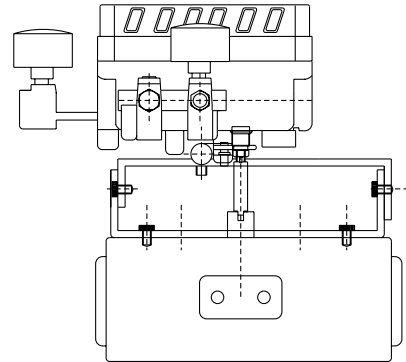
Input Signal : 4 to 20 mA  
 Cylinder Bore :  $\varnothing 1\text{-}1/2\text{'}$  to 12"  
 $\varnothing 40\text{ mm}$  to 320 mm

**TYPICAL VALVE / POSITIONER ASSEMBLY**



Input Signal : 0.2 to 1 Bar ( 3 to 15 psi )  
 Maximum Stroke : 150 mm

**TYPICAL ROTARY ACTUATOR / POSITIONER ASSEMBLY**



Input Signal : 0.2 to 1 Bar ( 3 to 15 psi )  
 Angular Movement : 90°

**OPTIONAL FEATURES AND ACCESSORIES WITH POSITIONER ASSEMBLY**

- Mounting as required
- Bellows ( Gaitor ) for dust protection
- Turn Buckle ( Fork )
- Lockup valve : ( Provision for stay put condition )
- Equalising valve
- Viton seals for high temp ( 180°C )
- Manual override
- Air reservoir
- Speed regulator
- FR unit