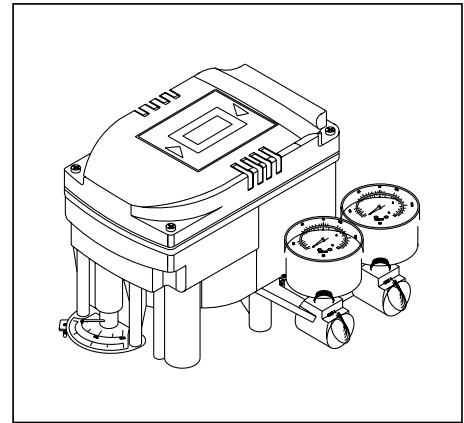


## Smart Positioner - SDSP 2300 R

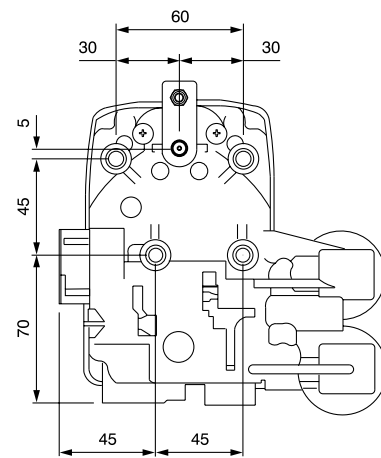
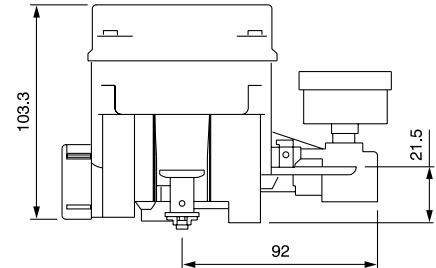
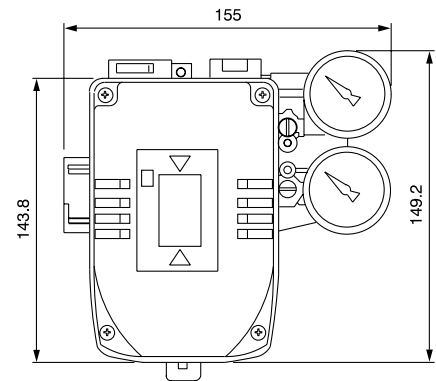
Smart Positioner controls stroke of the actuator in proportion to the input signal between 4-20mA. Besides, an efficient built in microprocessor performs functions like auto calibration, PID control, Alarm and Hart protocol etc. In addition,

- LCD display unit communicates status of actuator unit.
- Hart communicator processes variety of information related to actuator & positioner.
- PID parameters can be easily adjusted in the field without using communicator.
- Positioner transmitter is also offered as an optional accessory.



## SPECIFICATIONS

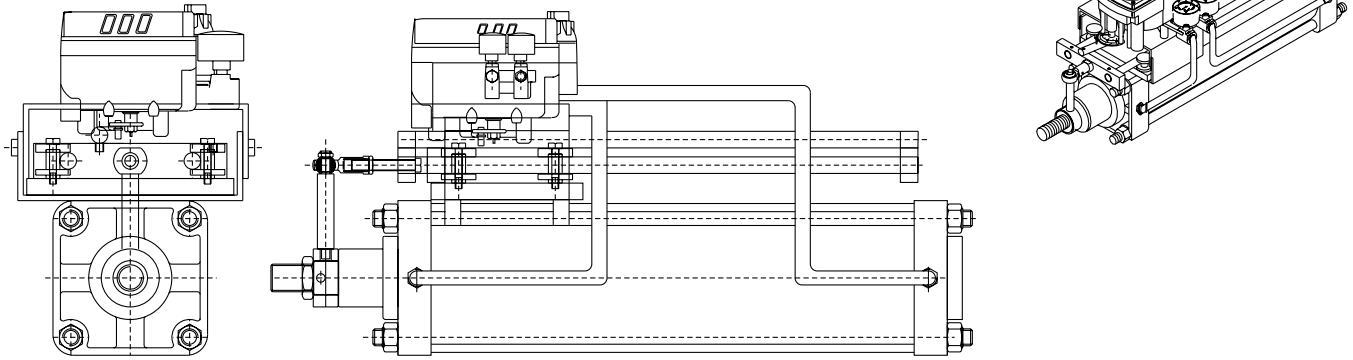
ITEM		SINGLE	DOUBLE
Input Signal		4-20mA DC	
Supply Pressure		1.4-7Kgf/cm <sup>2</sup> ( 20-100 Psi )	
Stroke		50 to 1200mm / 0 to 90°	
Impedance		Max. 500 Ohm / 20mA DC	
Air Connection		PT ( NPT ) 1/4"	
Gauge Connection		PT ( NPT ) 1/8"	
Conduit		PF 1/2" ( G 1/2" )	
Protection		IP 66	
Ambient Temp.	Operating	-30°-85°C (-22-185°F)	
	Explosion	-20°-60°C (-4-140°F)	
Linearity		± 2% F.S.	
Hysteresis		± 1% F.S.	
Sensitivity		± 0.5% F.S.	
Repeatability		± 0.3% F.S.	
Air Consumption		3LPM ( Sup=1.4Kgf/cm <sup>2</sup> , 20psi )	
Flow Capacity		70LPM	
LCD	Storage Temp.	-30°-85°C (-22-185°F)	
	Operating Temp.	-10°-70°C (14-158°F)	
Output Characteristics		Linear, EQ%, Quick Open user set (16 Point)	
Material		Aluminium Die Casting	
Weight		1.7Kg. ( 3.1 lb )	



## OPTIONAL FEATURES

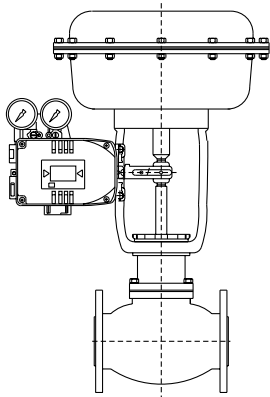
Position Transmitter	Internal Arrangement
	Input Signal : 0-90° ( Obtained From Positioner )
	Output Signal : 4-20mA DC
	Load Resistance : 0-600 ohm
	Supply Voltage : 15-30 V DC
Limit Switch	Internal Arrangement
	Rating : AC 0.6A 125V-16A 250V
	Switch Type : 2 x SPDT
Explosion Proof	Ex dm IIB T6
Hart Protocol	

**TYPICAL CYLINDER / POSITIONER ASSEMBLY**



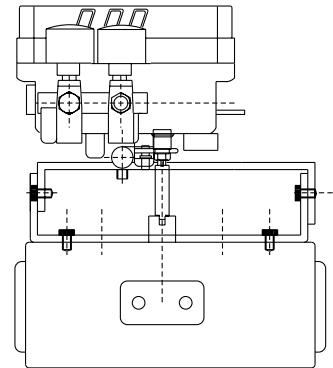
Input Signal : 4 to 20 mA  
 Cylinder Bore :  $\varnothing$ 1-1/2" to 12"  
 $\varnothing$ 40 mm to 320 mm

**TYPICAL VALVE / POSITIONER ASSEMBLY**



Input Signal : 0.2 to 1 Bar ( 3 to 15 psi )  
 Maximum Stroke : 150 mm

**TYPICAL ROTARY ACTUATOR / POSITIONER ASSEMBLY**



Input Signal : 0.2 to 1 Bar ( 3 to 15 psi )  
 Angular Movement : 90°

**OPTIONAL FEATURES AND ACCESSORIES WITH POSITIONER ASSEMBLY**

- Mounting as required
- Bellows ( Gaitor ) for dust protection
- Turn Buckle ( Fork )
- Lockup valve : ( Provision for stay put condition )
- Equalising valve
- Viton seals for high temp ( 180°C )
- Manual override
- Air reservoir
- Speed regulator
- FR unit