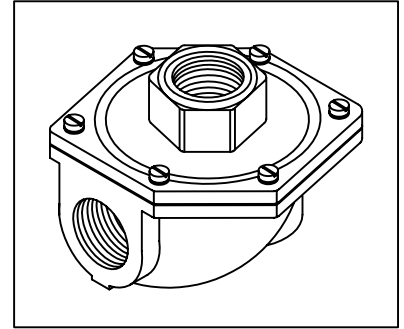


## G 1/4" & 3/4" QUICK EXHAUST VALVE

- \* Mounting of the valve on the cylinder port helps in exhausting the outgoing air directly without routing through the directional valve.
- \* It helps in increasing the speed of piston movement 2 to 3 times.
- \* 1/4" QEV also can be used as shuttle Valve.

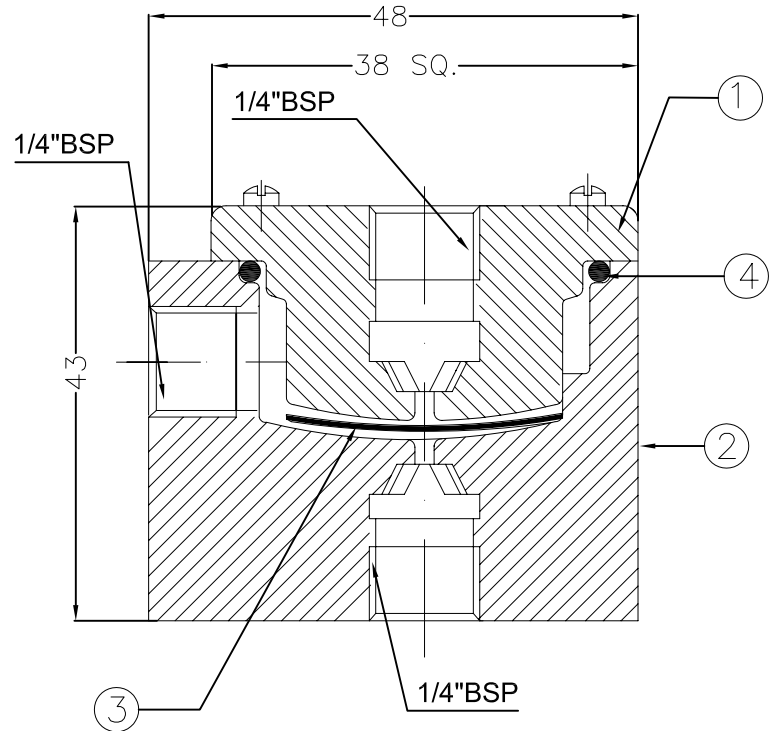


## G 1/4 QUICK EXHAUST VALVE

### PART LIST

NO.	DESCRIPTION	QTY.
1	COVER	1
2	BODY	1
3	DIAPHRAGM	1
4	"O" RING	1

Note: Seal kit consists of item no.3 & 4.

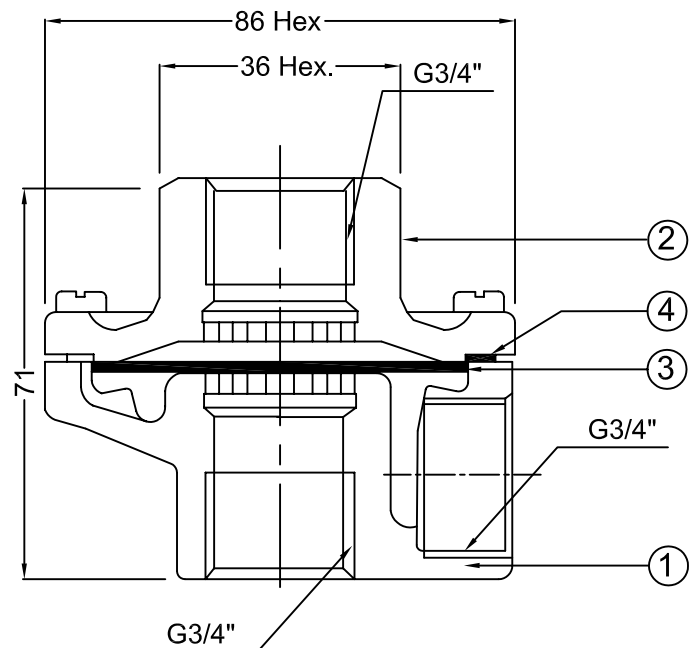


## G 3/4 QUICK EXHAUST VALVE

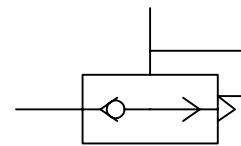
### PART LIST

NO.	DESCRIPTION	QTY.
1	BODY	1
2	COVER	1
3	DIAPHRAGM	1
4	GASKET	1

Note: Seal kit consists of item no.3 & 4



# WORKING OF QUICK EXHAUST VALVE:-



Piston speed

Normal

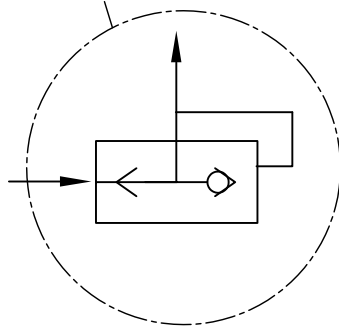
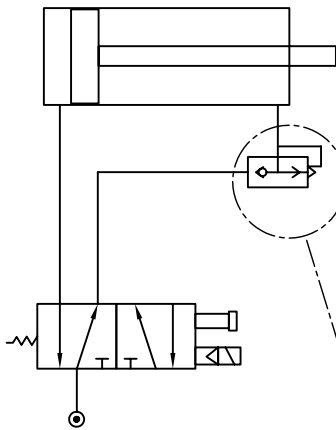
Increased



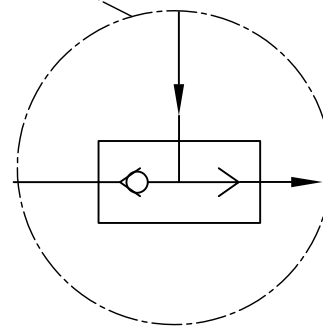
The sketch shows typical interconnection of Quick Exhaust Valve (QEV).

As air enters from the piston rod side the exhaust port of QEV get sealed with air pressure and cylinder operates at 'Normal' speed; exhausting air from exhaust ports of the valve.

While on forward stroke the exhausting air pushes the 'Shuttle' of QEV and air gets exhausted directly from its exhaust port. This type of Quick exhausting helps in increasing the speed of the piston.



Air entering from Piston rod side  
(Piston rod retracted)



Air exhausting from Piston rod side  
(Foward Stroke)