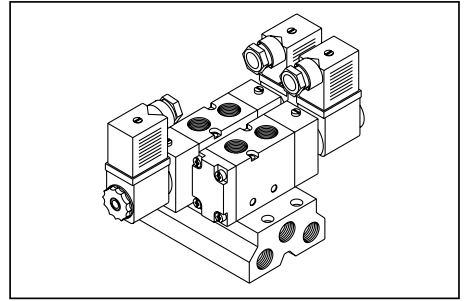
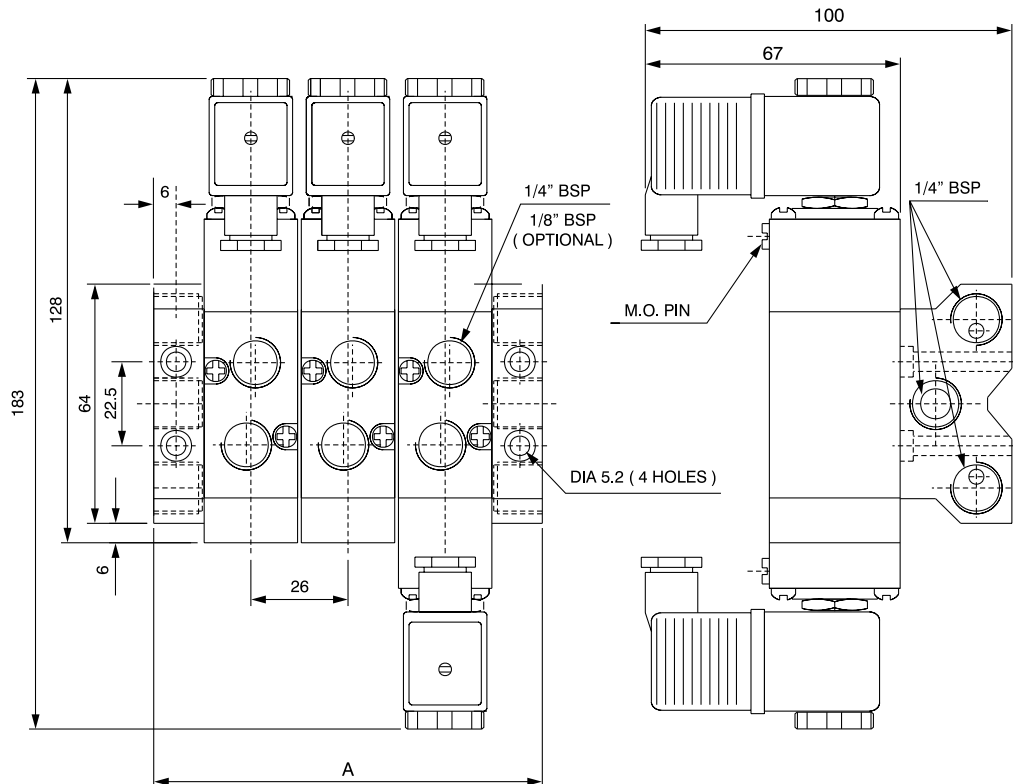


Gang Manifold - Exel Valves

- Sleek in construction.
- Common Inlet / Exhaust ports on both sides of manifold plate for ease of interconnection.
- Standard side ported Exel valves are used in manifold.
- Gang manifold suitable for any combination of 3/2, 5/2, 5/3 Pilot and Solenoid valves.



GANG MANIFOLD - SIDE PORTED EXEL VALVES



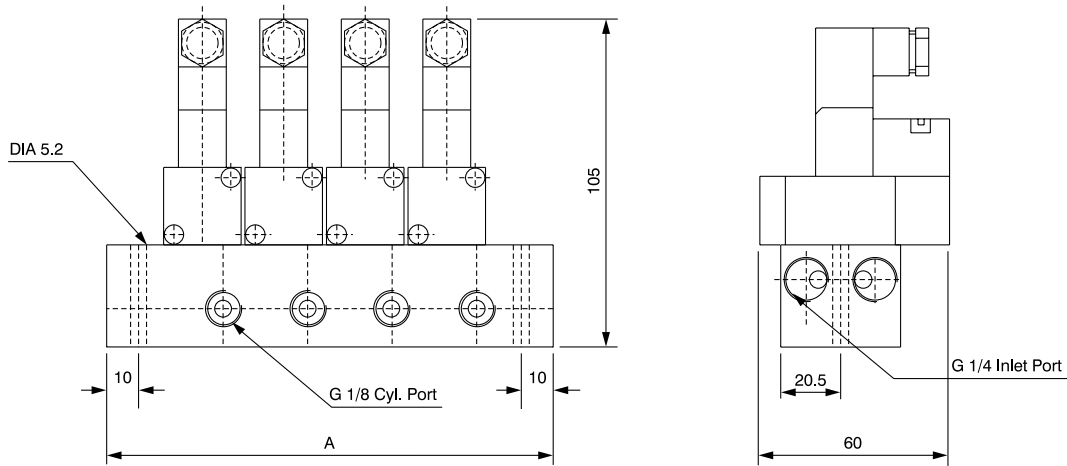
Note :

- 1) Max. no. of valves on a single manifold is 6 nos.
- 2) Valves beyond 6 nos. offered in combination of manifolds (consult Engg. Dept)
- 3) Valves that can be mounted are :

- 5/2 Single Solenoid Valve (A33014 / A34014)
 - 5/2 Double Solenoid Valve (A33024 / A34024)
 - 5/2 Single Pilot Valve (33004PS / 34014PS)
 - 5/2 Double Pilot Valve (33004PP / 34024PS)
 - 5/3 Double Pilot Valve (33004PP*/34004PP*)
 - 5/3 Double Solenoid Valve (A33024* /A34024*)
- (Add appropriate suffix of X - Neutral,
Y - Negative, Z - Positive in place of *)

Number of Valves	2	3	4	5	6
Dimension 'A'	78	104	130	156	182
Manifold Part No.	EMS 5-2	EMS 5-3	EMS 5-4	EMS 5-5	EMS 5-6

GANG MANIFOLD - 3/2 SUB BASE EXEL VALVES

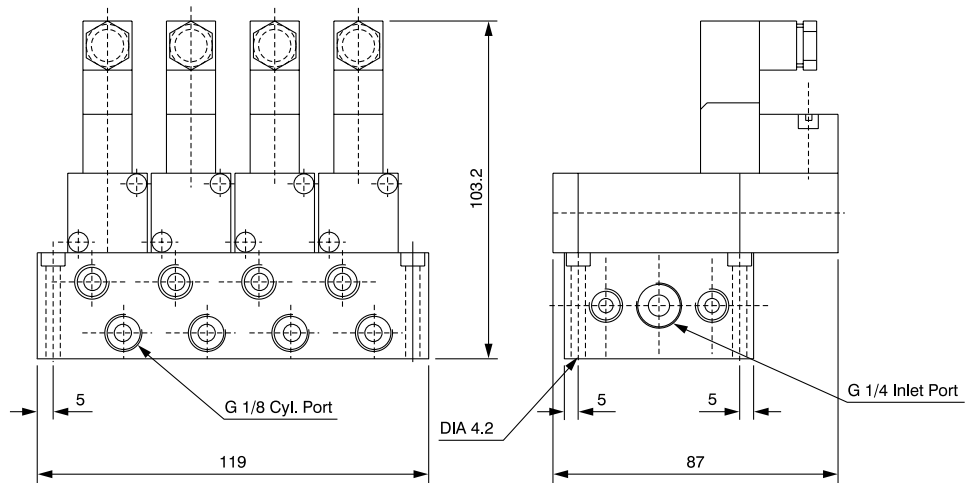


Note -

- 1) Max. no. of valves on a single manifold is 6 nos.
- 2) Valves beyond 6 nos. offered in combination of manifolds (consult Engg. Dept)
- 3) Valves that can be mounted are -
 - 3/2 Single Solenoid Valve (A 63013)
 - 3/2 Double Solenoid Valve (A 63023)
 - 3/2 Single Pilot Valve (63203PS)
 - 3/2 Double Pilot Valve (63203PP)

Number of Valves	2	3	4	5	6
Dimension 'A'	86.5	113	139.5	166	192.5
Manifold Part No.	EMB3-2	EMB3-3	EMB3-4	EMB3-5	EMB3-6

GANG MANIFOLD - 5/2 SUB BASE EXEL VALVES



Note -

- 1) Max. no. of valves on a single manifold is 6 nos.
- 2) Valves beyond 6 nos. offered in combination of manifolds (consult Engg. Dept)
- 3) Valves that can be mounted are -
 - 5/2 Single Solenoid Valve (A 63014)
 - 5/2 Double Solenoid Valve (A 63024)
 - 5/2 Single Pilot Valve (63204PS)
 - 5/2 Double Pilot Valve (63204PP)

Number of Valves	2	3	4	5	6
Dimension 'A'	72.5	99	125.5	152	178.5
Manifold Part No.	EMB 5-2	EMB 5-3	EMB 5-4	EMB 5-5	EMB 5-6