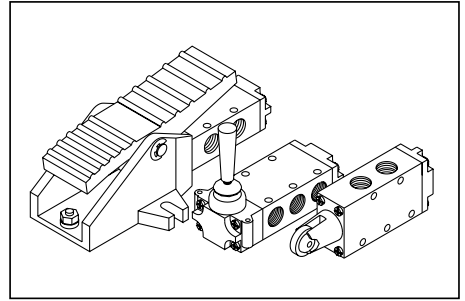


## G 1/4" - 5/2 Manually Operated Modular Spool Valves

- Sturdy and rugged in construction.
- Manually operated valve are available with 4 types of actuation namely Push Button Actuated, Roller Actuated, Hand lever Actuated and Foot lever actuated.
- Basic design is side ported, Sub base optional against specific requirement.
- Hand lever valve also offered with 5/3 self centering design.

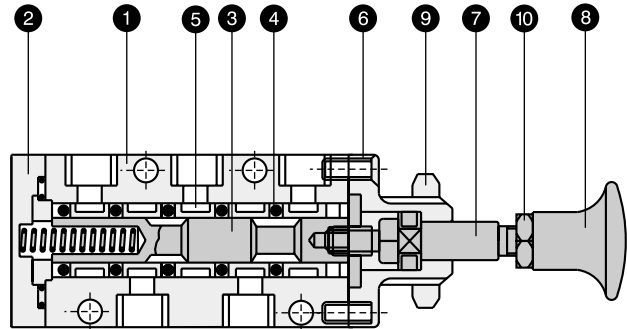


### PART LIST

#### 5/2 PUSH BUTTON ACTUATED MODULAR SPOOL VALVE

| NO. | DESCRIPTION         | QTY. |
|-----|---------------------|------|
| 1   | Body                | 1    |
| 2   | Spring Housing      | 1    |
| 3   | Spool               | 1    |
| 4   | 'O' ring            | 6    |
| 5   | Shell               | 5    |
| 6   | Push button housing | 1    |
| 7   | Plunger             | 1    |
| 8   | Button              | 1    |
| 9   | Lock nut            | 1    |
| 10  | Check Nut           | 1    |

Seal kit consists of items 4 & 5



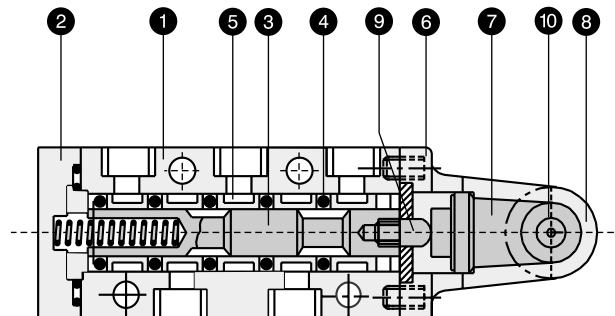
5/2 Push Button Actuated Modular Spool Valve

### PART LIST

#### 5/2 ROLLER ACTUATED MODULAR SPOOL VALVE

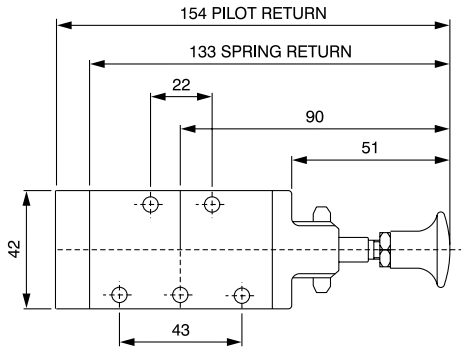
| NO. | DESCRIPTION    | QTY. |
|-----|----------------|------|
| 1   | Body           | 1    |
| 2   | Spring Housing | 1    |
| 3   | Spool          | 1    |
| 4   | 'O' ring       | 6    |
| 5   | Shell          | 5    |
| 6   | Roller housing | 1    |
| 7   | Plunger        | 1    |
| 8   | Roller         | 1    |
| 9   | Pin            | 1    |
| 10  | Locking Pin    | 1    |

Seal kit consists of items 4 & 5



5/2 Roller Actuated Modular Spool Valve

**G 1/4 - 5/2 Push Button Actuated Modular Spool Valve**



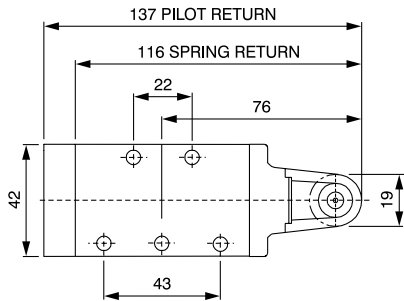
**PART NOS.**

| Type                               | Side ported valve | Valve with Sub-base Plate |
|------------------------------------|-------------------|---------------------------|
| Push button operated spring return | 53004 HS          | 53204 HS                  |
| Seal Kit                           | SK 53004 M        | SK 53204                  |

**SPECIFICATIONS**

|                       |  |
|-----------------------|--|
| Medium                | Compressed air, Filtered   |
| Design                | Spool type with spring return                                      |
| Working pressure      | 0 - 10 bar   |
| Ambient / fluid temp. | - 10° C to 85° C   |
| Cv ( Nominal flow )   | 1.0 ( 1000 lit. / min. )   |
| Materials             | Body : Aluminium<br>Spool : EN1, Hard chrome plated<br>Seals : NBR |

**G 1/4 - 5/2 Roller Actuated Modular Spool Valve**



**PART NOS.**

| Type                                | Side ported valve | Valve with Sub-base Plate |
|-------------------------------------|-------------------|---------------------------|
| Roller liver operated spring return | 53004 RS          | 53204 RS                  |
| Seal kit                            | SK 53004 M        | SK 53204                  |

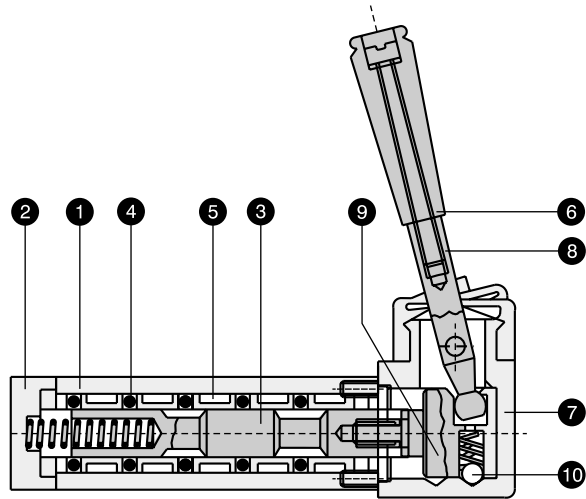
**SPECIFICATIONS**

|                       |  |
|-----------------------|--|
| Medium                | Compressed air, Filtered   |
| Design                | Spool type with spring return                                      |
| Working pressure      | 0 - 10 bar   |
| Ambient / fluid temp. | - 10° C to 85° C   |
| Cv ( Nominal flow )   | 1.0 ( 1000 lit. / min. )   |
| Materials             | Body : Aluminium<br>Spool : EN1, Hard chrome plated<br>Seals : NBR |

**PART LIST  
5/2 HAND LEVER ACTUATED  
MODULAR SPOOL VALVE**

| NO. | DESCRIPTION    | QTY. |
|-----|----------------|------|
| 1   | Body           | 1    |
| 2   | Spring Housing | 1    |
| 3   | Spool          | 1    |
| 4   | 'O' ring       | 6    |
| 5   | Shell          | 5    |
| 6   | Handle         | 1    |
| 7   | Lever housing  | 1    |
| 8   | Lever          | 1    |
| 9   | Plunger        | 1    |
| 10  | Ball           | 1    |

Seal kit consists of items 4 & 5

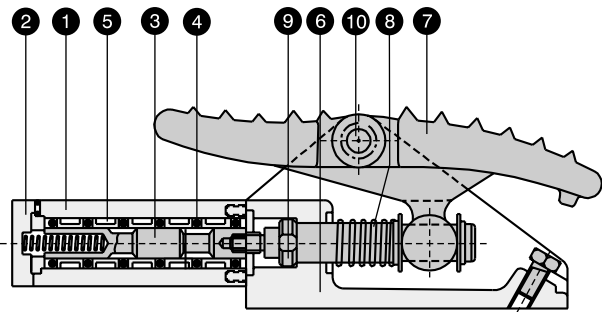


5/2 Hand Lever Actuated Modular Spool Valve

**PART LIST  
5/2 FOOT LEVER ACTUATED  
MODULAR SPOOL VALVE**

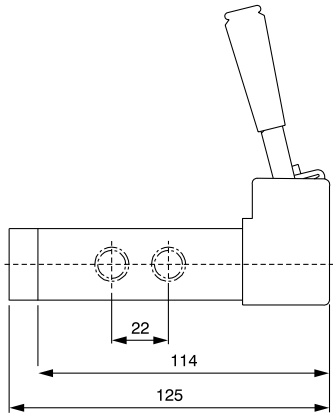
| NO. | DESCRIPTION        | QTY. |
|-----|--------------------|------|
| 1   | Body               | 1    |
| 2   | Spring housing     | 1    |
| 3   | Spool              | 1    |
| 4   | 'O' ring           | 6    |
| 5   | Shell              | 5    |
| 6   | Foot lever housing | 1    |
| 7   | Padal              | 1    |
| 8   | Spring             | 1    |
| 9   | Plunger            | 1    |
| 10  | Pin                | 1    |

Seal kit consists of items 4 & 5



5/2 Foot Lever Actuated Modular Spool Valve

**G 1/4 - 5/2 Hand Lever Operated Modular Spool Valve**



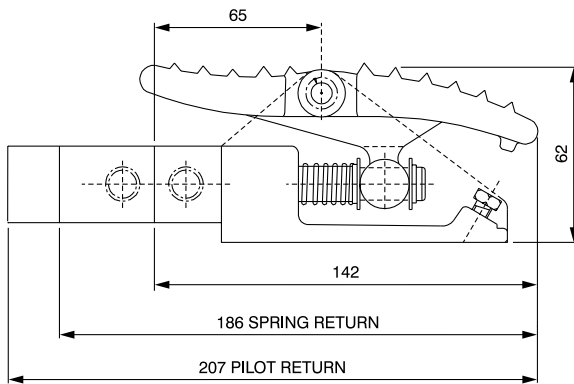
**PART NOS.**

| Type                             | Side ported valve | Valve with Sub-base Plate |
|----------------------------------|-------------------|---------------------------|
| Hand leveroperated spring return | 53004 LS          | 53204 LS                  |
| Seal Kit                         | SK 53004          | SK 53204                  |

**SPECIFICATIONS**

|                       |  |
|-----------------------|--|
| Medium                | Compressed air, Filtered   |
| Design                | Spool type with spring return                                      |
| Working pressure      | 0 - 10 bar   |
| Ambient / fluid temp. | - 10° C to 85° C   |
| Cv ( Nominal flow )   | 1.0 ( 1000 lit. / min. )   |
| Materials             | Body : Aluminium<br>Spool : EN1, Hard chrome plated<br>Seals : NBR |

**G 1/4 - 5/2 Foot Lever Actuated Moduarl Spool Valve**



**PART NOS.**

| Type                              | Side ported valve | Valve with Sub-base Plate |
|-----------------------------------|-------------------|---------------------------|
| Foot lever operated spring return | 53004 FS          | 53204 FS                  |
| Seal kit                          | SK 53004 M        | SK 53204                  |

**SPECIFICATIONS**

|                       |  |
|-----------------------|--|
| Medium                | Compressed air, Filtered   |
| Design                | Spool type with spring return                                      |
| Working pressure      | 0 - 10 bar   |
| Ambient / fluid temp. | - 10° C to 85° C   |
| Cv ( Nominal flow )   | 1.0 ( 1000 lit. / min. )   |
| Materials             | Body : Aluminium<br>Spool : EN1, Hard chrome plated<br>Seals : NBR |