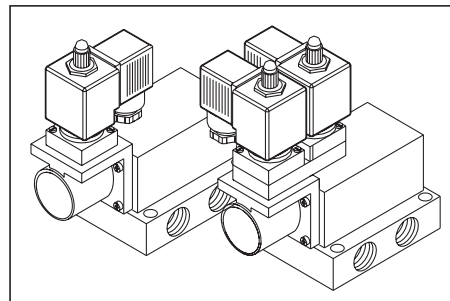


G 1/4 - G 1 Poppet Solenoid Valves

- Robust poppet design with long life expectancy under arduous conditions.
- The design of face sealing on poppet makes valve 'self-cleaning' and is ideal under adverse air conditions.
- Offered in 3/8" basic and 3/4" basic version.
- Facility of gang manifolding having common inlet and exhaust.

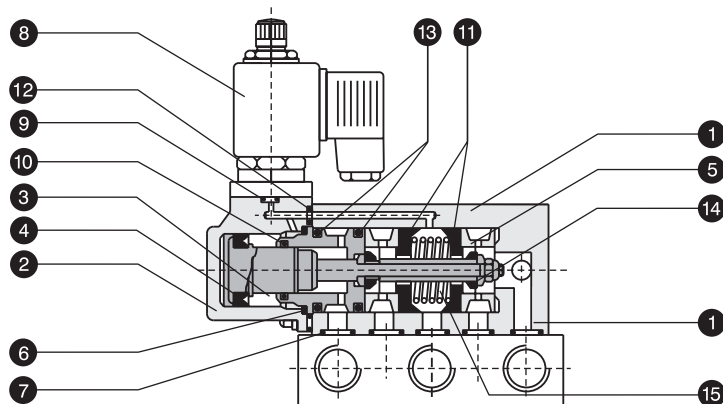


PART LIST

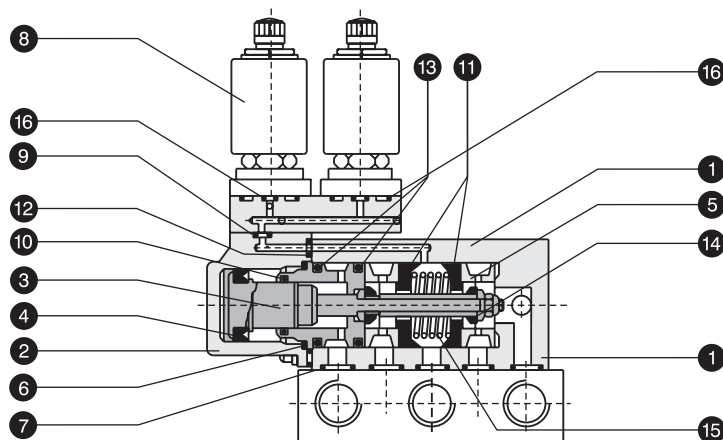
NO.	DESCRIPTION	QTY.	
		Single Sol.	Double Sol.
1	Valve body	1	1
2	Pilot housing	1	1
3	Poppet and piston assly.	1	1
4	'U' cup packing	1	1
5	Spool	1	1
6	Gasket	1	1
7	'O' ring (sub base plate)	5	5
8	Coil assembly (G25)	1	2
9	'O' ring (solenoid housing)	1	2
10	'O' ring (poppet assly.)	1	1
11	Inlet seals	2	2
12	'O' ring (pilot housing)	1	1
13	'O' ring (retainer)	2	2
14	Outlet seals	2	2
15	Spring	1	1
16	'O' ring (Double sol. housing)	-	4

Seal kit consists of items 4, 6, 7, 9, 10, 11, 12, 13 &14 for single solenoid valve.

Seal kit consists of items 4, 6, 7, 9, 10, 11, 12, 13, 14 &16 for double solenoid valve.



5/2 Single Solenoid Poppet Valve



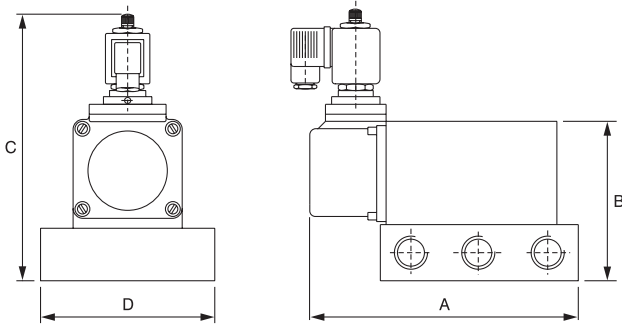
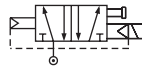
5/2 Double Solenoid Poppet Valve

COIL SPECIFICATIONS

Type	Valve with G25 coil
Tube Assy. construction	SS plunger with NBR seals, SS magnet core assembled with brass adaptor.
Coil voltages	AC : 24, 48, 110, 240 V 50Hz (Other voltages on request) DC : 12, 24, 48 V AC : 12, 24, 48 V 50 Hz DC : 48, 110 V
Voltage range	± 10%
Power consumption	AC : Pull 7.5 VA, Hold : 5 VA DC : 3 WATT
Duty cycle	100%
Class of insulation	F (Winding wire of class 'H' insulation)
Degree of protection	IP 65 - IS 2147
Cable connector	DIN 43650 - PG 9

* Poppet valve is also offered with flame-proof coil duly certified by CMRS Dhanbad for grades I, IIA, IIB. Refer data sheet PMV-07 for details.

5/2 SINGLE SOLENOID POPPET VALVE



	SIZE	A	B	C	D
3/8" Basic	G 1/4	142	76	165	76
	G 3/8	142	76	165	76
	G 1/2	142	81	170	76
3/4" Basic	G 1/2	201	100	181	95
	G 3/4	201	105	186	95
	G 1	210	115	196	102

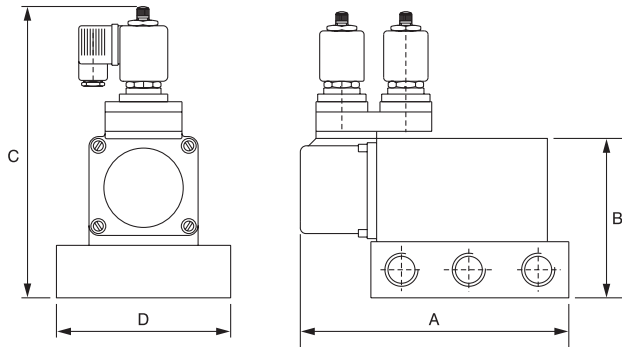
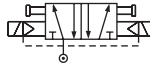
PART NOS.

	Type	Valve with base plate	Valve without base plate	Base Plate	Seal kit
3/8" Basic	1/4" Single sole.	A 3455 M	A 2455 M	PBS 3814	SK 3456 M
	3/8" Single sole.	A 3456 M	A 2456 M	PBS 3838	
	1/2" Single sole.	A 3461 M	A 2461 M	PBS 3412	
3/4" Basic	1/2" Single sole.	A 3457 M	A 2457 M	PBS 3412	SK 3458 M
	3/4" Single sole.	A 3458 M	A 2458 M	PBS 3434	
	1" Single sole.	A 3459 M	A 2459 M	PBS 3810	

SPECIFICATIONS

Medium	Compressed air, Filtered					
Design	Poppet type with spring return					
Working pressure	1.5 - 10 Kg./sq. cm.					
Ambient / fluid temp.	- 10° to 85° C					
Cv (Nominal flow)	3/8" Basic			3/4" Basic		
	1/4"	3/8"	1/2"	1/2"	3/4"	1"
	1.9	2.04	2.38	5.4	5.8	5.8
Manual override	Screw type, Detent					
Optional feature	PIC with light indicator, Explosion proof coil					
Response time at 5 Bar	On time : 35 ms. Off time : 45 ms.					
Materials	Body, Base, Pilot Housing : Aluminium Seals : NBR					

5/2 DOUBLE SOLENOID POPPET VALVE



	SIZE	A	B	C	D
3/8" Basic	G 1/4	142	76	175	76
	G 3/8	142	76	175	76
	G 1/2	142	81	180	76
3/4" Basic	G 1/2	201	100	180	95
	G 3/4	201	105	197	95
	G 1	210	115	208	102

PART NOS.

	Type	Valve with base plate	Valve without base plate	Base Plate	Seal kit
3/8" Basic	1/4" Double sole.	A 825 MD	A 725 MD	PBS 3814	SK 826 MD
	3/8" Double sole.	A 826 MD	A 726 MD	PBS 3838	
	1/2" Double sole.	A 830 MD	A 730 MD	PBS 3812	
3/4" Basic	1/2" Double sole.	A 827 MD	A 727 MD	PBS 3412	SK 828 MD
	3/4" Double sole.	A 828 MD	A 728 MD	PBS 3434	
	1" Double sole.	A 829 MD	A 729 MD	PBS 3610	

SPECIFICATIONS

Medium	Compressed air, Filtered					
Design	Poppet type design					
Working pressure	1.5 - 10 Kg./sq. cm.					
Ambient / fluid temp.	- 10° to 85° C					
Cv (Nominal flow)	3/8" Basic			3/4" Basic		
	1/4"	3/8"	1/2"	1/2"	3/4"	1"
	1.9	2.04	2.38	5.4	5.8	5.8
Manual override	Screw type, Detent					
Optional feature	PIC with light indicator Explosion proof coil					
Response time at 5 bar	35 ms.					
Materials	Body, Base, Pilot Housing : Aluminium Seals : NBR					