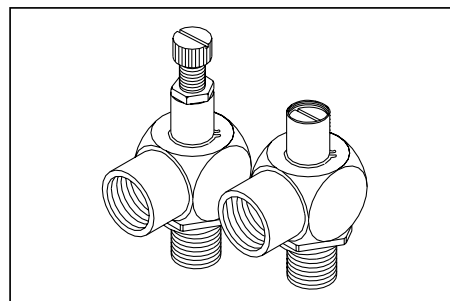


G 1/8 - G 1/2 Banjo Flow Control Valves

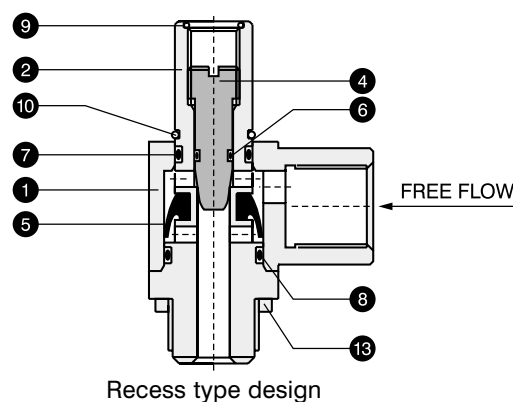
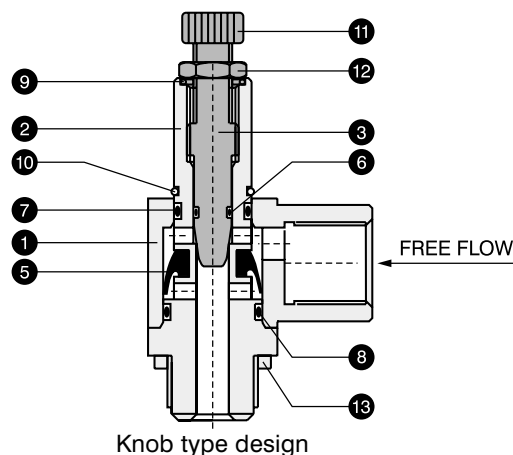
- Allows free flow in one direction & controlled flow in other so as to regulate the speed of the cylinder.
- Compact design which can be directly mounted on cylinder port.
- Available in two designs : Knob type construction and recess type construction.
- Provision for swivelling of the body through 360° so as to provide flexibility in alignment with tubing layout.



PART LIST

NO.	DESCRIPTION	QTY.	
		Knob Type	Recess Type
1	Valve body	1	1
2	Stem	1	1
3	Knob type pin	1	-
4	Recess type pin	-	1
5	'U' cup	1	1
6	'O' ring for pin	1	1
7	'O' ring for stem (Upper)	1	1
8	'O' ring for stem (Lower)	1	1
9	Internal lock ring	1	1
10	External lock ring	1	1
11	Knob	1	--
12	Nut	1	--
13	Plastic washer	1	1

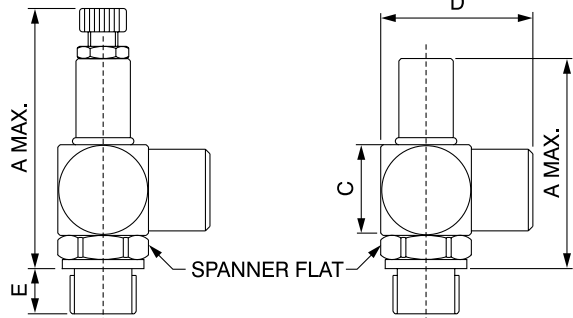
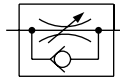
Seal kit consists of items 5, 6, 7 & 8.



SPECIFICATIONS

Port connection		G 1/8	G 1/4	G 3/8	G 1/2
Part no.	Knob Type	BJ 1898 K	BJ 1498 K	BJ 3898 K	BJ 1298 K
	Recess Type	BJ 1898 R	BJ 1498 R	BJ 3898 R	BJ 1298 R
	Seal kit	SK 1898	SK 1498	SK 3898	SK 1298
Medium	Compressed air, Filtered				
Design	Screw type flow control valve				
Pressure range	0.2 - 10 bar				
Temperature range	-10° to 85° C				
Material	a) Body : Aluminium b) Stem, Screw : Brass c) Seals : NBR d) External / Internal : Spring steel locking ring				
Nominal flow (Liters / min)	Controlled	0 to 125	0 to 350	0 to 600	0 to 1200
	Free	180	450	900	1750

**G 1/8, G 1/4, G 3/8
BANJO FLOW CONTROL VALVE**

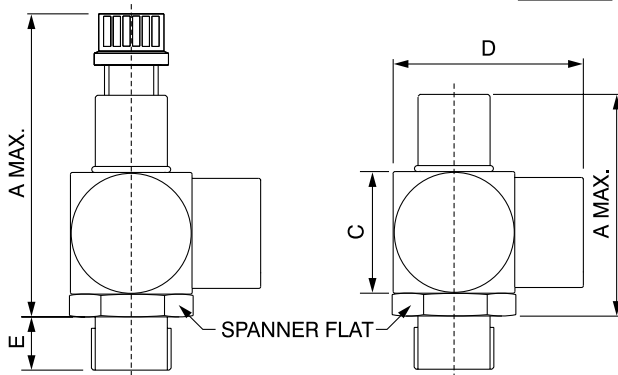
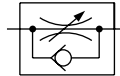


Knob type design

Recess type design

PORT BSP	A MAX.		C	D	E	SPANNER FLAT DIM.
	KNOB	RECE- SSED				
G 1/8	50	36	16	24	6	16
G 1/4	63	45	20	35	8	19
G 3/8	71	49	25	40	10	25

G 1/2 BANJO FLOW CONTROL VALVE



Knob type design

Recess type design

PORT BSP	A MAX.		C	D	E	SPANNER FLAT DIM.
	KNOB	RECE- SSED				
G 1/2	85	61	32	50	11	32

FLOW REGULATION CURVE

