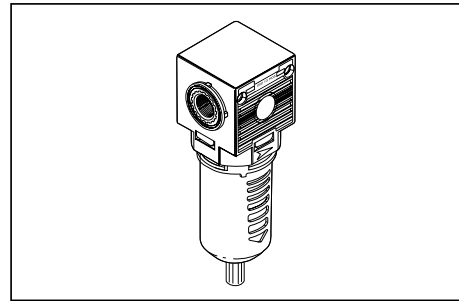


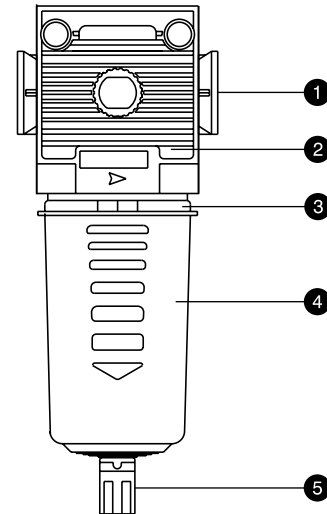
**G 1/4 - G 1 Futura Filters**

- Made as per ISO 5782-1 standard.
- High level of condensate separation.
- Safety 'Lock Ring' to lock bowl.
- Easy bowl removal/refixing by lifting of 'Lock Ring' and with 90° turn of bowl. #
- Bowl guard & Semiautomatic drain offered as standard features.



**PART LIST**

NO.	DESCRIPTION	QTY.
1	Threaded brass insert for port connection	2
2	Housing	1
3	Lock ring	1
4	Bowl with bowl guard	1
5	Semiautomatic drain assembly	1



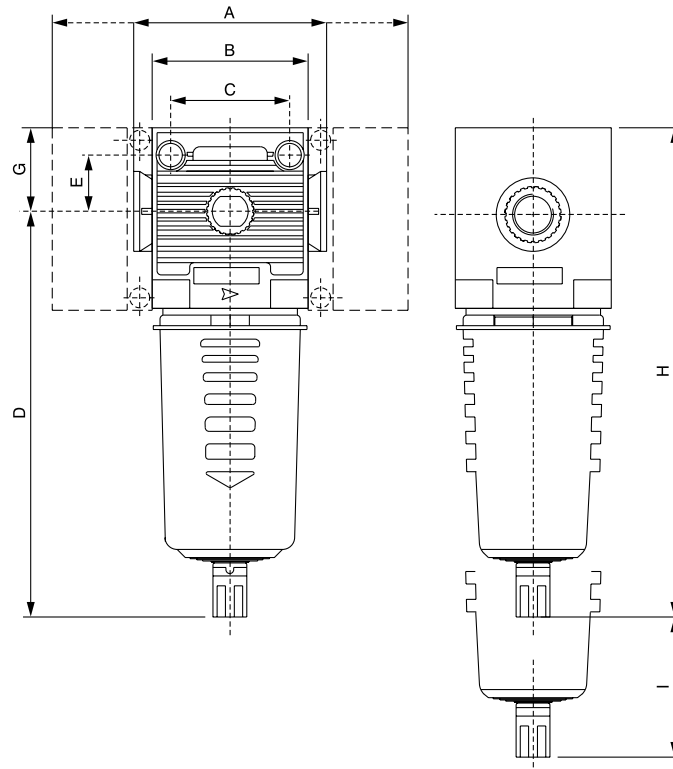
**SPECIFICATIONS**

Medium	Compressed Air				
Design	Cartridge type Filter				
Mounting	Line / Wall Mounting				
Connection	G 1/4	G 3/8	G 1/2	G 3/4	G 1
Standard nominal flow rate *	1250 l/min.	2500 l/min.	2500 l/min.	3110 l/min.	13800 l/min.
Operating pressure	Max. 12.5 bar				
Filter element	20 micron ( Standard ) / 5 micron ( Optional )				
Condensate capacity	22 cc.	42 cc.	42 cc.	100 cc.	200 cc.
Temperature range for optimal performance	5° - 50° C				
Material	Housing : Technopolymer with brass inserts Filter Bowl : Transparent Polyamide with outer bowl guard Seals : Nitrile				
Weight	0.095 Kg.	0.225 Kg.	0.225 Kg.	0.675 Kg.	1.210 Kg.

\* ( at P = 10 Bar & Δ P = 1 Bar )

#Applicable to filters above G1/4 only.

G1/4 - G1 FUTURA FILTER



PORT SIZE	A	B	C	D	E	G	H	MOUNTING HOLES	I
G 1/4	--	42	32	126	10.5	20	146	Ø 4.5	40
G 3/8	63	52	41	148	16	26	174	Ø 5.5	50
G 1/2	63	52	41	148	16	26	174	Ø 5.5	50
G 3/4	137	--	50	172.5	17.5	31.5	204	Ø 5.5	50
G 1	115	95	--	236.6	--	47.5	284.1	--	30

ORDERING INFORMATION

Description	Type	G 1/4	G 3/8	G1/2	G 3/4	G 1
Air Filter with 20 micron filter cartridge	Semi automatic Drain	FA42F14	FA50F38	FA52F12	FA80F34	FA95F10
Air Filter with 20 micron filter cartridge	Automatic Drain	FC42F14	FC50F38	FC52F12	FC80F34	FC95F10

Note : Change 2nd digit to 'B' for 5 micron filter with semiautomatic drain facility.  
 Change 2nd digit to 'D' for 5 micron filter with automatic drain facility.