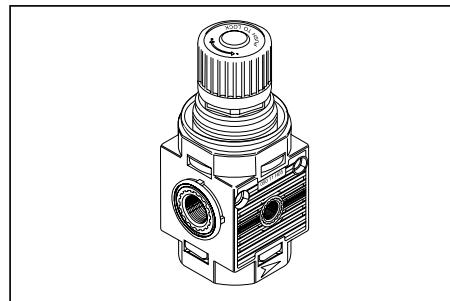


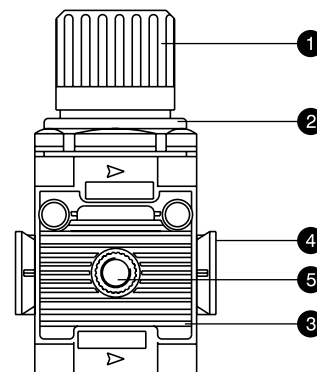
G 1/4 - G 1 Futura Regulators

- Made as per ISO 6953-1 standard.
- Fitted with 'Rolling Diaphragm' to give quick response time.
- Built - in overpressure relieving function.
- High flow rate with low load losses.
- Stable set pressure regardless of upstream variations.
- Lockable pressure adjusting knob.



PART LIST

NO.	DESCRIPTION	QTY.
1	Pressure adjusting knob	1
2	Lock nut	1
3	Housing	1
4	Threaded brass insert for port connection	2
5	Pressure gauge port	2

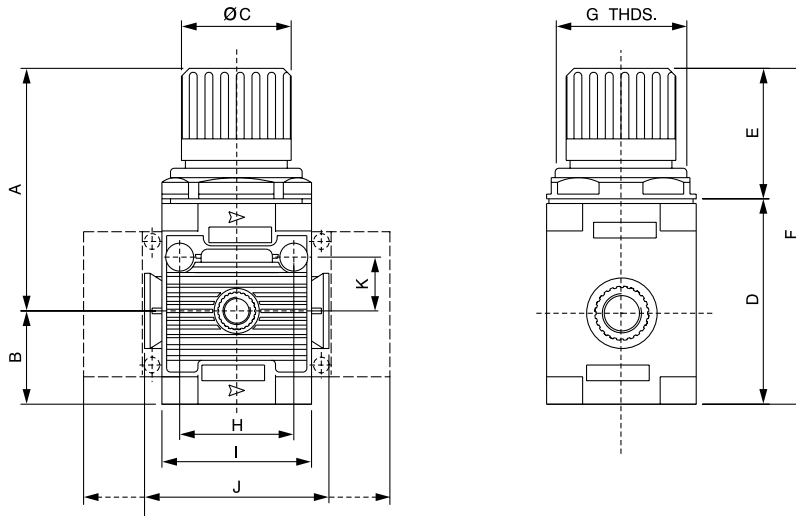


SPECIFICATIONS

Medium	Filtered Compressed Air (Lubricated or Unlubricated)				
Design	Rolling diaphragm type				
Mounting	Line / Wall Mounting or Bracket mounting / Panel mounting				
Connection	G 1/4	G 3/8	G 1/2	G 3/4	G 1
Standard nominal flow rate*	850 l/min.	1500 l/min.	1500 l/min.	2310 l/min.	15000 l/min.
Maximum inlet pressure	12.5 bar				
Working pressure range	Std : 0 - 8 bar Optional : 0 - 4 bar, 0 - 12.5 bar				
Temperature range for optimal performance	5° - 50° C				
Material	Housing : Technopolymer with brass inserts Adjusting Knob : Technopolymer Seals : Nitrile				
Weight	0.125 Kg.	0.325 Kg.	0.325 Kg.	0.755 Kg.	1.721 Kg.

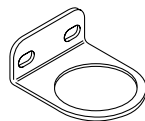
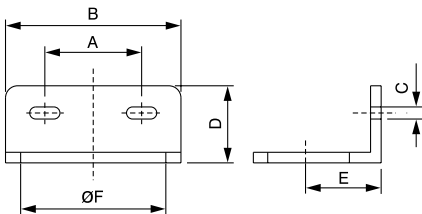
* (at P = 6.3 Bar & Δ P = 1 Bar)

G 1/4 - G 1 FUTURA REGULATOR



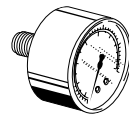
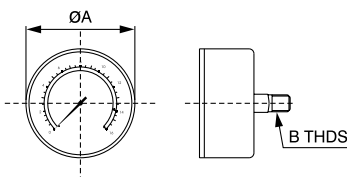
PORT SIZE	A	B	Ø C	D	E	F	G THDS.	H	MOUNTING HOLES	I	J	K
G 1/4	72	20	28	56	36	92	M30X1.5	32	Ø 4.5	42	--	10.5
G 3/8	91	38	39	82	47	129	M42X2	41	Ø 5.5	52	63	16
G 1/2	91	38	39	82	47	129	M42X2	41	Ø 5.5	52	63	16
G 3/4	103.5	41.5	39	89	56	145	M42X2	50	Ø 5.5	--	137	17.5
G 1	174	47.5	80	95	126.5	221.5	--	--	--	95	115	--

MOUNTING BRACKET



PORT SIZE	A	B	C	D	E	Ø F
G 1/4	30	46	5.5	20	23	30
G 3/8	33	55	5.5	27	40	42
G 1/2	33	55	5.5	27	40	42
G 3/4	33	55	5.5	27	40	42

PRESSURE GAUGE



PORT SIZE	PRESSURE GAUGE RATING 0-4, 0-10, 0-16 BAR	
	A	B
G 1/4	40	G 1/8
G 3/8	40	G 1/8
G 1/2	40	G 1/8
G 3/4	40	G 1/8
G 1	50	G 1/4

ORDERING INFORMATION

Description	G 1/4	G 3/8	G1/2	G 3/4	G 1
Regulator (0 - 8 Bar)	FA42R14	FA50R38	FA52R12	FA80R34	FA95R10

Note : Change 2nd digit to 'B' for 0 - 4 bar, 'C' for 0 - 12.5 bar pressures
Add suffix 'G' for pressure gauge