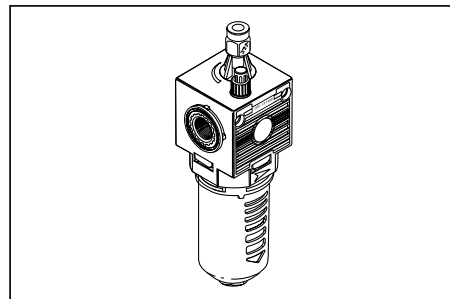


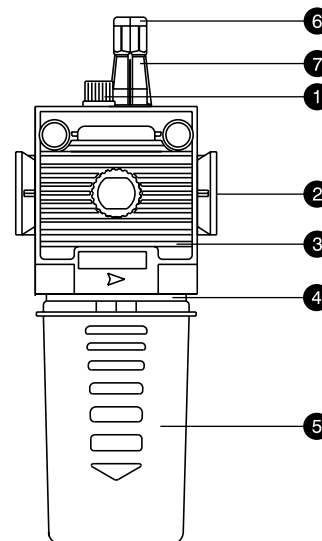
G 1/4 - G 1 Futura Lubricators

- Made as per ISO 6301-1 standard.
- Proportional oil mist type design.
- Constant steady delivery.
- Sensitive oil flow adjustment.
- Safety 'Lock Ring' to lock bowl.
- Easy bowl removal/refixing by lifting of 'Lock Ring' and with 90° turn of bowl. #



PART LIST

NO.	DESCRIPTION	QTY.
1	Oil fill plug	1
2	Threaded brass insert for port connection	2
3	Housing	1
4	Lock ring	1
5	Bowl with bowl guard	1
6	Oil flow adjustment screw	1
7	Oil window	1



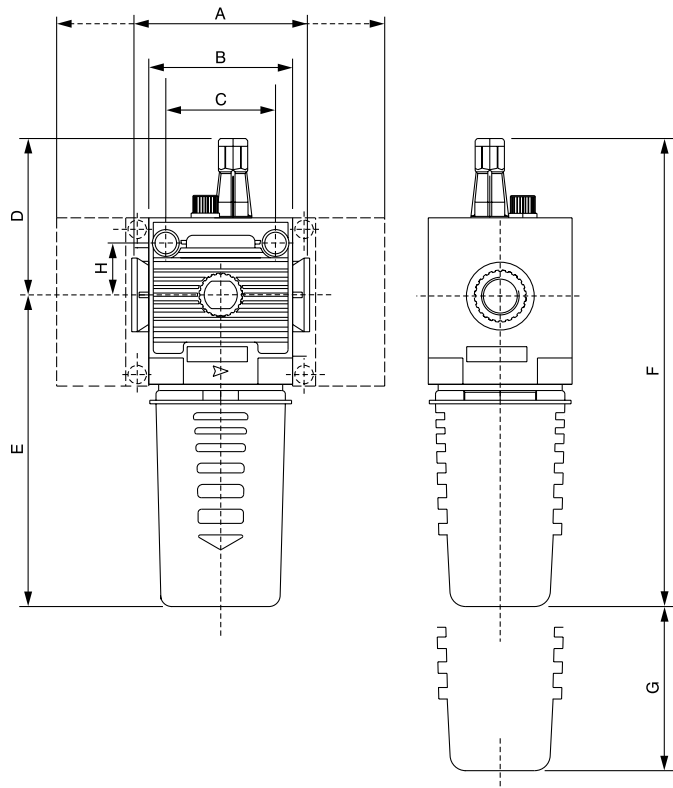
SPECIFICATIONS

Medium	Filtered Compressed Air				
Design	Proportional oil mist type Lubricator				
Mounting	Line / Wall mounting				
Connection	G 1/4	G 3/8	G 1/2	G 3/4	G 1
Standard nominal flow rate *	2060 l/min.	2000 l/min.	2000 l/min.	3550 l/min.	15000 l/min.
Primary pressure	Max. 12.5 bar				
Recommended oil viscosity	ISO VG 32				
Bowl capacity	42 cc.	68 cc.	68 cc.	140 cc.	440 cc.
Temperature range for optimal performance	5° - 50° C				
Material	Housing : Technopolymer with brass inserts Lubricator Bowl : Transparent Polyamide with outer bowl guard Seals : Nitrile				
Weight	0.095 Kg.	0.230 Kg.	0.230 Kg.	0.670 Kg.	1.194 Kg.

* (at P = 10 Bar & Δ P = 1 Bar)

Applicable to the Lubricators above G 1/4 only.

G 1/4 - G 1 FUTURA LUBRICATOR



PORT SIZE	A	B	C	D	E	F	G	H	MOUNTING HOLES
G 1/4	--	42	32	52	105	157	80	10.5	ø 4.5
G 3/8	63	52	41	60	130	190	80	16	ø 5.5
G 1/2	63	52	41	60	130	190	80	16	ø 5.5
G 3/4	137	--	50	68.5	158.5	227	110	17.5	ø 5.5
G 1	115	95	--	86.1	215.9	300	100	--	--

ORDERING INFORMATION

Description	G 1/4	G 3/8	G1/2	G 3/4	G 1
Lubricator	FA42L14	FA50L38	FA52L12	FA80L34	FA95L10