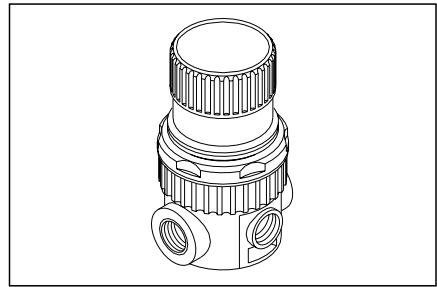


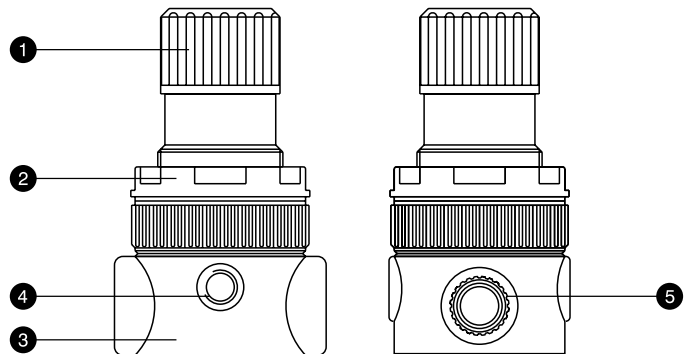
G 1/8 - G 1/4 Futura Microregulator

- Made as per ISO 6953 - 1 specifications.
- Light weight and sleek in construction.
- Fitted with 'Rolling Diaphragm' to give quick response time.
- Built - in overpressure relieving function.
- Effective and simple knob locking system.



PART LIST

NO.	DESCRIPTION	QTY.
1	Adjusting safety knob	1
2	Lock ring	1
3	Housing	1
4	Pressure gauge port	2
5	Threaded brass inserts for port connection	2

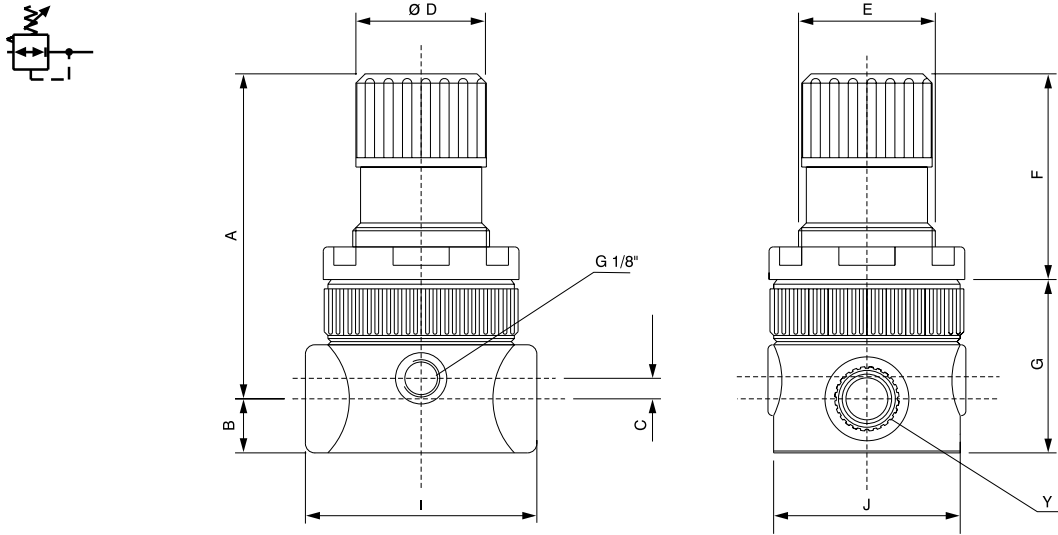


SPECIFICATIONS

Medium	Filtered Compressed Air	
Design	Rolling diaphragm type regulator	
Mounting	Wall Mounting or Bracket mounting.	
Connection	G 1/8	G 1/4
Standard nominal flow rate *	360 l/min.	360 l/min.
Maximum inlet pressure	16 bar	
Working pressure range	Standard : 0-8 bar Optional : 0-2 bar, 0-4 bar, 0-12.5 bar	
Temperature range for optimal performance	5° - 50° C	
Material	Housing : Technopolymer with brass inserts. Seals : Nitrile Adjusting knob : Technopolymer	
Weight	0.095 Kg.	0.095 Kg.

* (at P = 6.3 Bar & Δ P = 1 Bar)

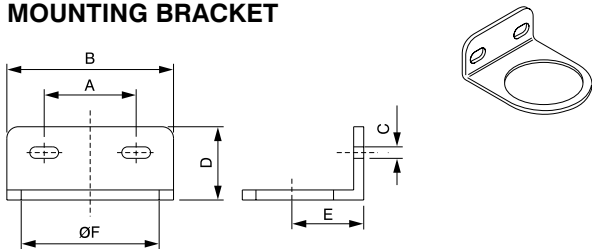
G 1/8 - G 1/4 FUTURA MICROREGULATOR



PORT SIZE (Y)	A	B	C	Ø D	E	F	G	I	J	PRESSURE GAUGE PORT (Y)
G 1/8	64.5	11.5	3.5	28	M30X1.5	36	40	40.5	38	G 1/8
G 1/4	64.5	11.5	3.5	28	M30X1.5	36	40	40.5	38	G 1/8

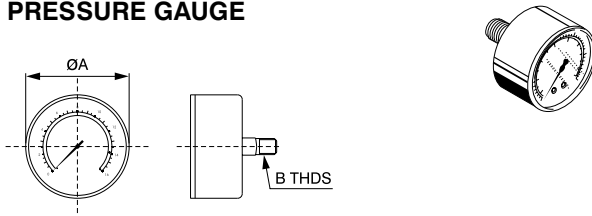
Note : Refer sheet PMV 11/2 for mounting bracket and pressure gauge details.

MOUNTING BRACKET



PORT SIZE	A	B	C	D	E	Ø F
G 1/8	30	46	5.5	20	23	30
G 1/4	30	46	5.5	20	23	30

PRESSURE GAUGE



PORT SIZE	PRESSURE GAUGE RATING 0-4, 0-10, 0-16 BAR	
	A	B
G 1/8	40	G 1/8
G 1/4	40	G 1/8

ORDERING INFORMATION

Description	G 1/8	G 1/4
Microregulator (0 - 8 bar)	FA38R18	FA38R14

Note : Change 2nd digit to 'B' for 0 - 4 bar, to 'C' for 0 - 12.5 bar and to 'D' for 0 - 2 bar pressure.
Add suffix 'G' for pressure gauge.