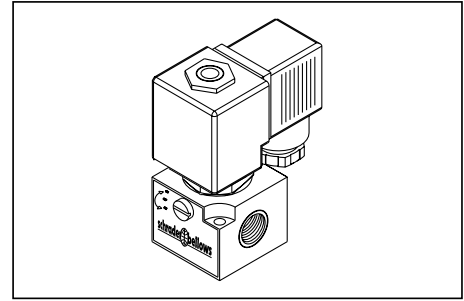


Midget Solenoid Valve (Technopolymer Body)

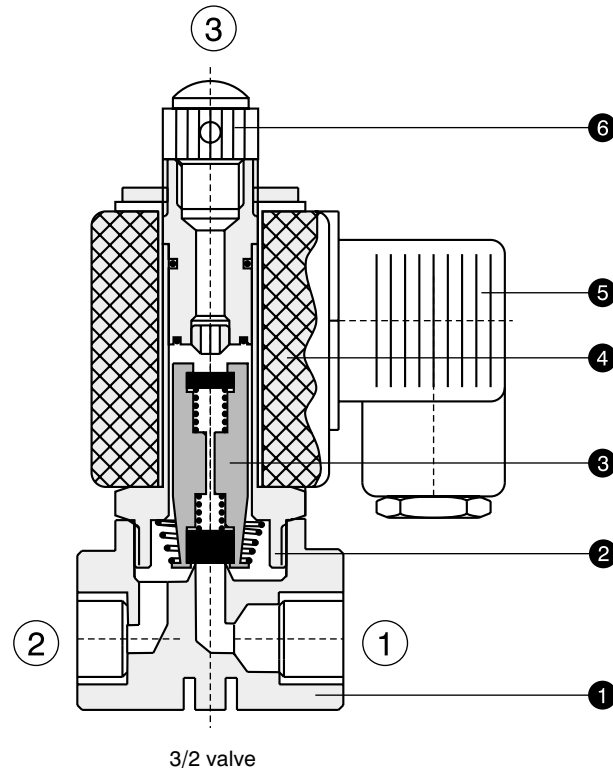
- Direct acting design hence quick response to actuation.
- Normally closed, normally open option available.
- Suitable for vacuum application.
- Technopolymer body suitable for many hazardous chemicals and gases.
- Manual override as std feature.



PART LIST

NO.	DESCRIPTION	QTY.
1	Body	1
2	Tube assembly	1
3	Plunger assembly	1
4	Solenoid coil	1
5	Plug in connector	1
6	Dust cap (For 3/2 valve)	1

Complete plunger assembly (3) offered as spare.



TECHNICAL SPECIFICATIONS

TYPE	VALVE WITH (G50) COIL
Construction	Valve Body : Technopolymer with built-in manual override
Coil Voltages	AC : 24, 42, 48, 110, 240, 440 V 50 Hz DC : 12, 24, 48, 110, 240 V
Permissible voltage fluctuation	± 10% / -15%
Power Consumption	AC : Pull : 21 VA, Hold : 14 VA DC : 10 WATT
Duty cycle	100%
Response time	8ms
Class of Insulation	F (Winding wire of class 'H' insulation)
Degree of protection	IP 65 - IS 2147
Cable connector	PG. 11
Fluid/ambient temp.	- 10 to 55° C
Optional features	PIC with LED Valve with Explosion proof coil as per IS-2148

Valve without M.O. also offered against request.

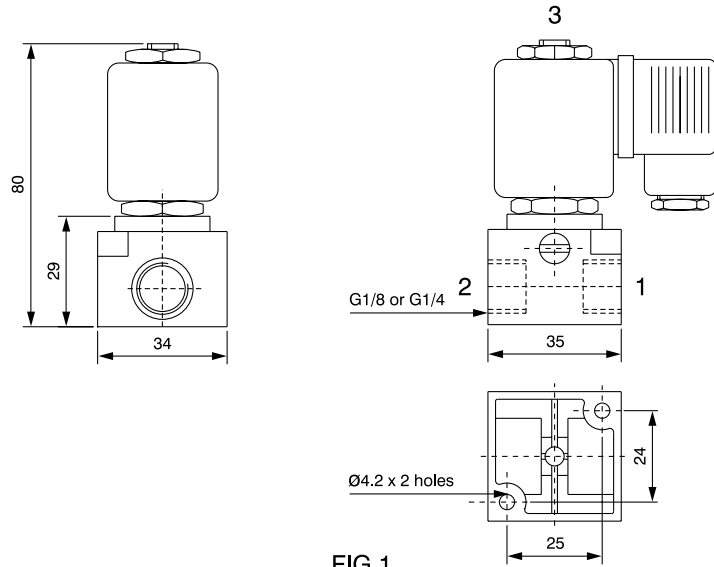


FIG.1

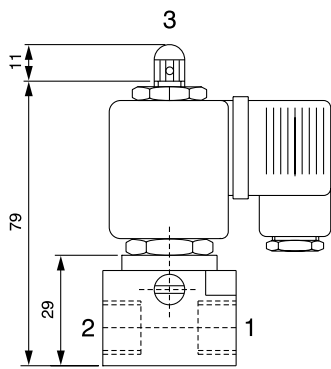


FIG.2

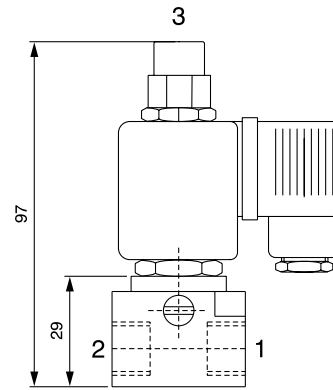


FIG.3

TYPE	BASIC PART NO.	FUNC.	COIL REF.	ORIFICE IN - CYL.	PR. RATING (BAR)	REF. DRG.	PORT			CV IN - CYL.
							1	2	3	
1/8"-2/2	G 455	N.C.	G 50	1.6	0-10.0	Fig. 1	CYL	IN	PL	0.12
1/4"-2/2	G 455A	N.C.	G 50	1.6	0-10.0	Fig. 1	CYL	IN	PL	0.12
1/8"-3/2	G 454	N.C.	G 50	1.6	0-10.0	Fig. 2	IN	CYL	EXH	0.12
	G 457	N.O.	G 50	1.6	0-10.0	Fig. 3	EXH	CYL	IN	0.12
1/4"-3/2	A 454 A	N.C.	G50	1.6	0-10.0	Fig. 2	IN	CYL	EXH	0.12
	G 457 A	N.O.	G50	1.6	0-10.0	Fig. 3	EXH	CYL	IN	0.12

NOTE : Valves with G 50 coils can also be offered with flame proof coil as per IS 2148 (duly certified by CMRS Dhanbad)