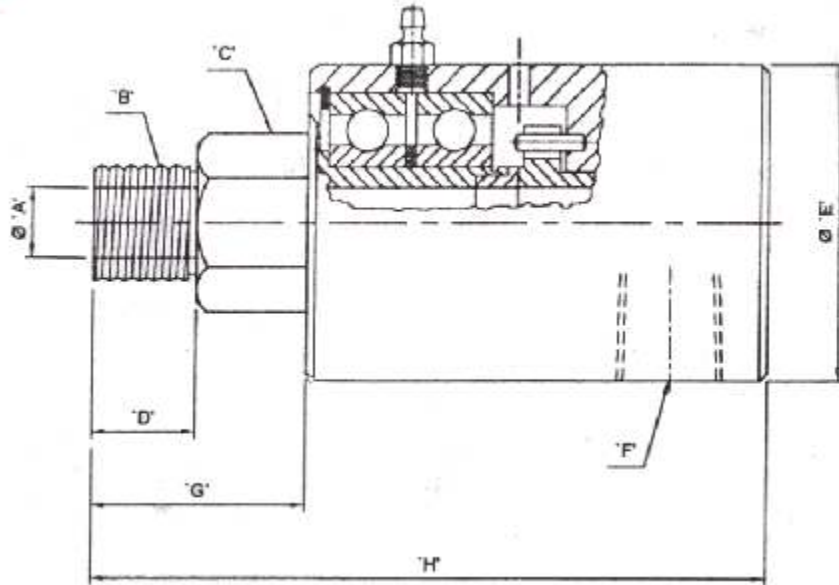


# R-300 ROTARY UNIONS



Rotor resting between two ball bearing ensuring long life, to sealing faces which are micro-lapped to optical flatness.

**OPERATING DATA :**

- Max Speed - 3500 RPM
- Max. Temperature - 120°C
- Max Air Pressure - 10 kg./cm<sup>2</sup>
- Max Hydraulic Pressure - 35 kg./cm<sup>2</sup>
- Media - Air and Hydraulic Service

| MODEL          | 'A'<br>HOLE | 'B'<br>ROTOR<br>THREAD<br>BSP | 'C'<br>ACROSS<br>FLAT | 'D'  | 'E' | 'F'<br>BSPT | 'G' | 'H' |
|----------------|-------------|-------------------------------|-----------------------|------|-----|-------------|-----|-----|
| R 0300-001-075 | 3.2         | 1/8" RH                       | 16                    | 12.7 | 35  | 1/8"        | 20  | 71  |
| R 0300-001-076 | 3.2         | 1/8" LH                       | 16                    | 13   | 35  | 1/8"        | 20  | 71  |
| R 0300-002-001 | 6           | 1/4" RH                       | 22                    | 13   | 45  | 1/4"        | 29  | 101 |
| R 0300-002-002 | 6           | 1/4" LH                       | 22                    | 13   | 45  | 1/4"        | 29  | 101 |
| R 0300-003-003 | 8.6         | 3/8" RH                       | 22                    | 16   | 45  | 3/8"        | 30  | 102 |
| R 0300-003-004 | 8.6         | 3/8" LH                       | 22                    | 16   | 45  | 3/8"        | 30  | 102 |
| R 0300-004-005 | 12.7        | 1/2" RH                       | 28                    | 19   | 57  | 1/2"        | 35  | 120 |
| R 0300-004-006 | 12.7        | 1/2" LH                       | 28                    | 19   | 57  | 1/2"        | 35  | 120 |
| R 0300-005-007 | 19          | 3/4" RH                       | 36                    | 22   | 72  | 3/4"        | 38  | 138 |
| R 0300-005-008 | 19          | 3/4" LH                       | 36                    | 22   | 72  | 3/4"        | 38  | 138 |
| R 0300-006-009 | 25.4        | 1" RH                         | 46                    | 22   | 81  | 1"          | 43  | 158 |
| R 0300-006-010 | 25.4        | 1" LH                         | 46                    | 22   | 81  | 1"          | 43  | 158 |
| R 0300-007-011 | 32          | 1.1/4" RH                     | 50                    | 27   | 89  | 1.1/4"      | 54  | 185 |
| R 0300-007-012 | 32          | 1.1/4" LH                     | 50                    | 27   | 89  | 1.1/4"      | 54  | 185 |