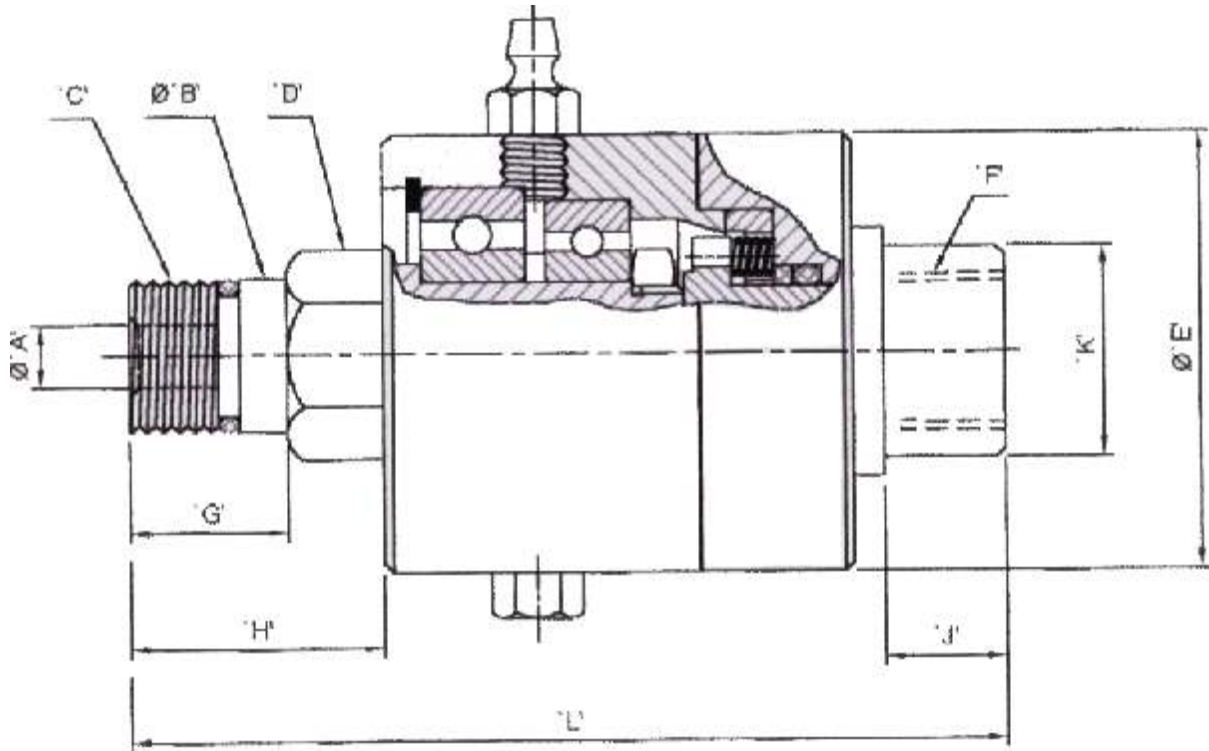




# R-800 STRAIGHT THROUGH ROTARY UNIONS



## R-800 STRAIGHT THROUGH ROTARY UNION

Housing with Straight Through, Single passage turbulence free flow at high speed, and high pressure bearing are precision mounted to prevent from getting excessively heated.

### **OPERATING DATA:**

Max Speed - 15,000 RPM  
 Max. Temperature - 90°C  
 Max Pressure - 105 kg./cm<sup>2</sup>  
 Media - Coolant Service

MODEL	'A'	PILOT 'B'	'C' ROTOR THREAD BSP / UNF / METRIC	'D' ACROSS FLAT	'E'	'F' BSPT	'G'	'H'	'J'	'K' ACROSS FLAT	'L'
R 0800-002-050	6.5	16.02, 17.998	M16X1.5 PITCH LH	22	46	3/8"	16.5	26.5	12.7	22.2	91.6
R 0800-002-056	6.5		5/8" UNFX18 LH	22	46	3/8"	16.5	26.5	12.7	22.2	91.6