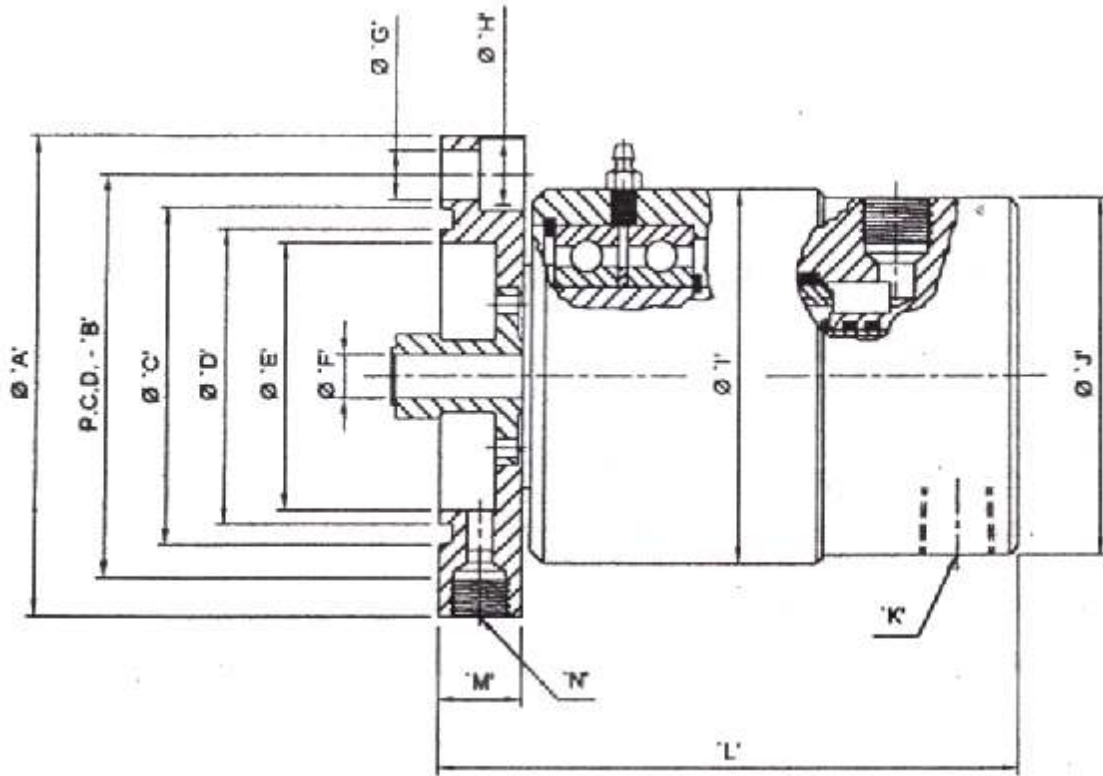


R-900 ROTARY UNIONS



Double passage pneumatic service union. Flange mounting, carbon graphite versus tool steel sealing faces optically flat and balanced for minimum torque.

OPERATING DATA:

- Max Speed - 1500 RPM
- Max. Temperature - 120°C
- Max Pressure - 10 kg./cm²
- Media - Pneumatic Service

MODEL	'A'	'B' P.C.D.	'C'	'D'	'E'	'F'	'G'	'H'	'I'	'J'	'K' BSPT	'L'	'M'	'N' BSPT
R 0900-003-000	107.92	90.5	74.27	66.27	60	9.5	11	16	84	80	3/8"	132	19	1/4"