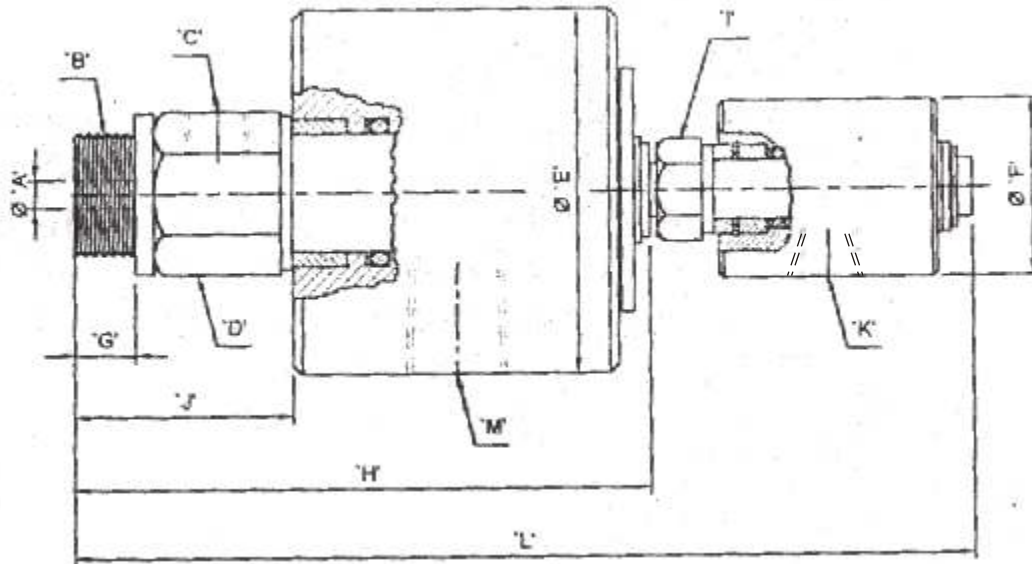




R-1400 ROTARY UNIONS



Tandem dual passage union with design construction as per R. 1300.

Two unions coupled to give two different passages.

OPERATING DATA:

- Max Speed - 250 RPM
- Max. Temperature - 120°C
- Max Air Pressure - 10 kg./cm²
- Max Hydraulic Pressure - 204 kg./cm²
- Media - Air & Hydraulic Service

MODEL	'A' HOLE	'B' ROTOR THREAD BSP	'C' BSPT	'D' ACROSS FLAT	'E'	'F'	'G'	'H'	'I' ACROSS FLAT	'J'	'K' BSPT	'L'	'M' BSPT
R 1400-002-007	6	3/4"RH	1/4"	35	78	38	13	125	22	47	1/4"	198	1/2"
R 1400-002-008	6	3/4"LH	1/4"	35	78	38	13	125	22	47	1/4"	198	1/2"