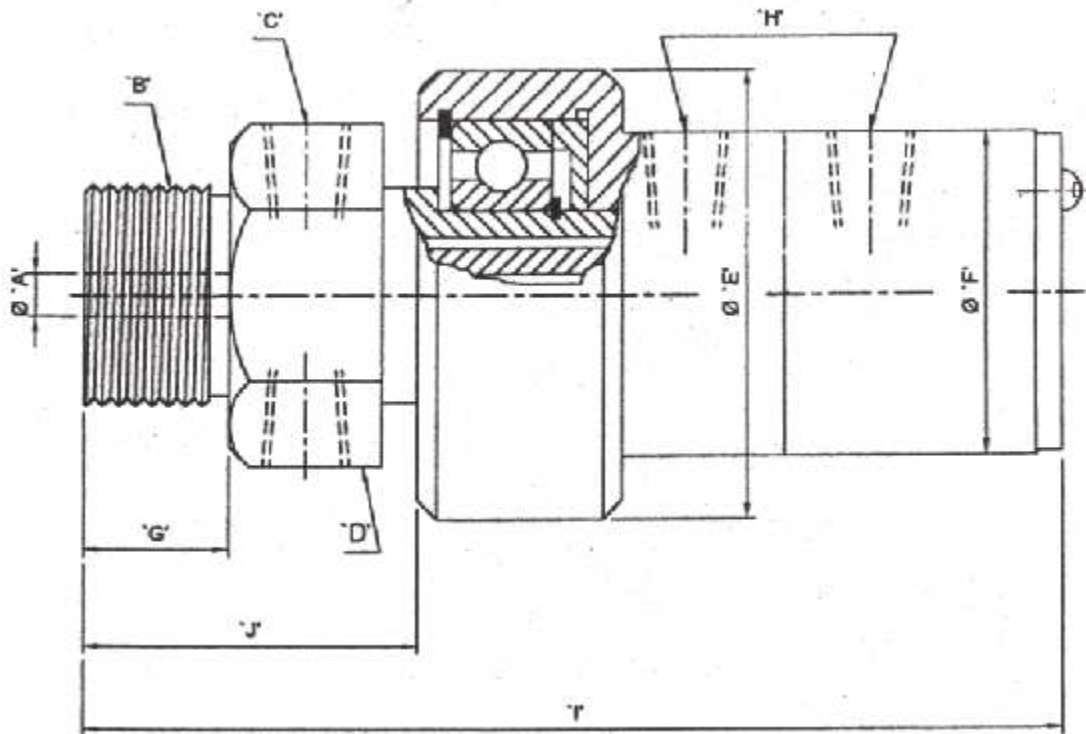


R-1500 ROTARY UNIONS



Slow speed dual passage for high pressure application. Rotor supported between one ball bearing and oilite bearing, Radial seal keep two passage free from cross talk.

OPERATING DATA:

Max Speed - 250 RPM

Max. Temperature - 120°C

Max Air Pressure - 10 kg./cm²

Max Hydraulic Pressure - 68 kg./cm²

Media - Air & Hydraulic Service

| MODEL | 'A' HOLE | 'B' ROTOR THREAD BSP/NPT/METRIC | 'C' OUTLET THREAD BSPT/NPT | 'D' ACROSS FLAT | 'E' | 'F' | 'G' | 'H' INLET THREAD BSPT | 'I' | 'J' |
|----------------|-------------|--|-------------------------------------|-----------------------|-----|-----|-----|--------------------------------|-----|-----|
| R 1500-002-009 | 6.4 | 1" BSP RH | 1/4" BSPT | 44.5 | 66 | 48 | 22 | 1/4" | 148 | 50 |
| R 1500-002-010 | 6.4 | 1" BSP LH | 1/4" BSPT | 44.5 | 66 | 48 | 22 | 1/4" | 148 | 50 |
| R 1500-002-031 | 6.4 | 1" NPT RH | 1/4" BSPT | 44.5 | 66 | 48 | 22 | 1/4" | 148 | 50 |
| R 1500-002-032 | 6.4 | 1" NPT LH | 1/4" BSPT | 44.5 | 66 | 48 | 22 | 1/4" | 148 | 50 |
| R 1500-002-033 | 6.4 | M35X1.5 PITCH RH | 3/8" NPT | 44.5 | 66 | 48 | 15 | 1/4" | 141 | 43 |
| R 1500-002-045 | 6.4 | M35X1.5 PITCH LH | 3/8" NPT | 44.5 | 66 | 48 | 15 | 1/4" | 141 | 43 |