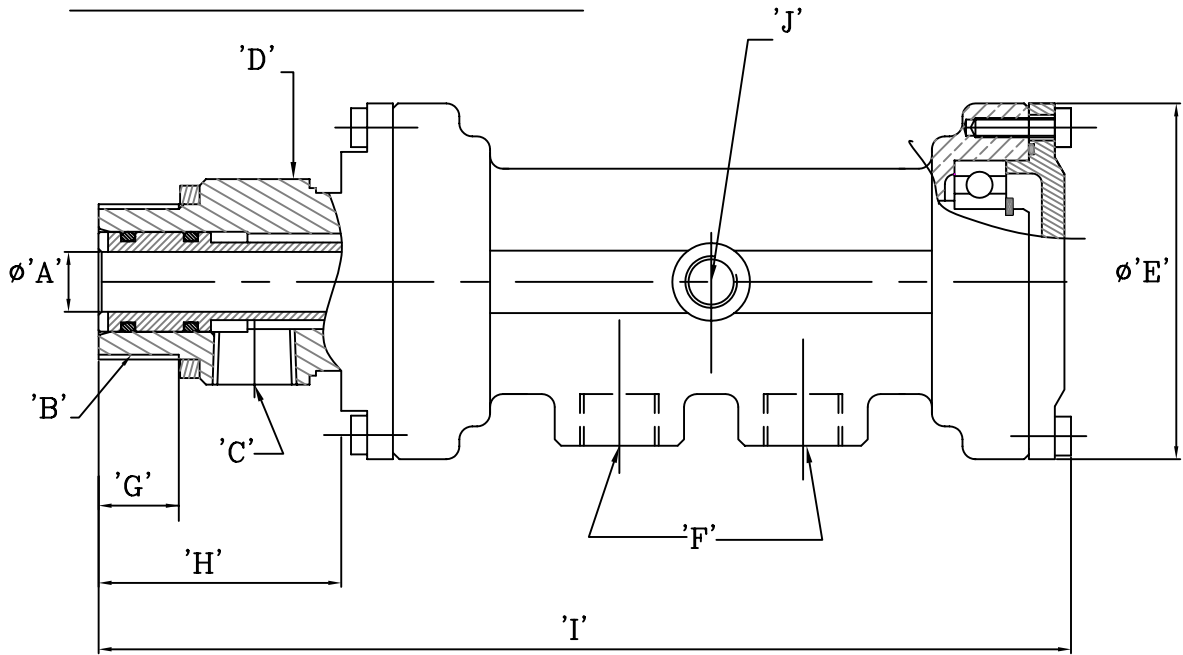


R- 1602 ROTARY UNION



Fluconn Rotary Union Model R- 1602 is the latest development in Dual Passage Hydraulic Service Union for High Speed and High Pressure Hydraulic service,

Applications. - Coiler , De- Coiler and other areas of high speed rotations where the conventional unions with radial seals give away due to the limitations in surface speed limits, this new series union perfectly fills the gap. The Rotor is resting between two Ball bearings and the contact area enables auto sealing due to low slippage between the rotating and stationary member. This arrangement enable high speed rotation without leakage to atmosphere. Whatever quantity escapes through the sealing area travels through the ball bearing races providing it the required lubrication and then it comes out through the special outlet provided in the center. which is connected to the tank This feature of the design eliminates maintenance.

Sizes available :- 3/4", 1", 1.1/4" and 1.1/2" BSP Rotor threads, as well as flanged connections.

OPERATING DATA:-

Max. Speed- 1000 RPM

Max. Hydraulic pressure - 150 bar

Max. Temperature - 90°C

Media - Hydraulic Service

MODEL	'A' HOLE	'B' ROTOR TRHD. BSP	'C' OUTLET TRHD. BSPT	'D' ACROSS FLAT	'E'	'F' INLET TRHD. BSP	'G'	'H'	'I'	'J' LKG. TRHD. BSP
R 1602-002-007	6	3/4"RH	1/4"	36	74	1/4"	15	44.5	189	1/4"
R 1602-002-008	6	3/4"LH	1/4"	36	74	1/4"	15	44.5	189	1/4"
R 1602-003-009	8.5	1" RH	3/8"	44.5	74	1/4"	23	57	202	1/4"
R 1602-003-010	8.5	1" LH	3/8"	44.5	74	1/4"	23	57	202	1/4"
R 1602-004-011	12	1 1/4" RH	1/2"	55	90	1/2"	20	62	243	1/4"
R 1602-004-012	12	1 1/4" LH	1/2"	55	90	1/2"	20	62	243	1/4"
R 1602-005-013	18.5	1 1/2"RH	3/4"	63.5	110	3/4"	24	70	291	3/8"
R 1602-004-014	18.5	1 1/2" LH	3/4"	63.5	110	3/4"	24	70	291	3/8"