

ADJUSTABLE SHOCK ABSORBERS

TA SERIES

Introduces a new product in shock absorption & handling technology to cater to the growing needs in industry, mechanical engineering and automation. Our product ranges are completely designed and manufactured by a qualified team.



APPLICATIONS

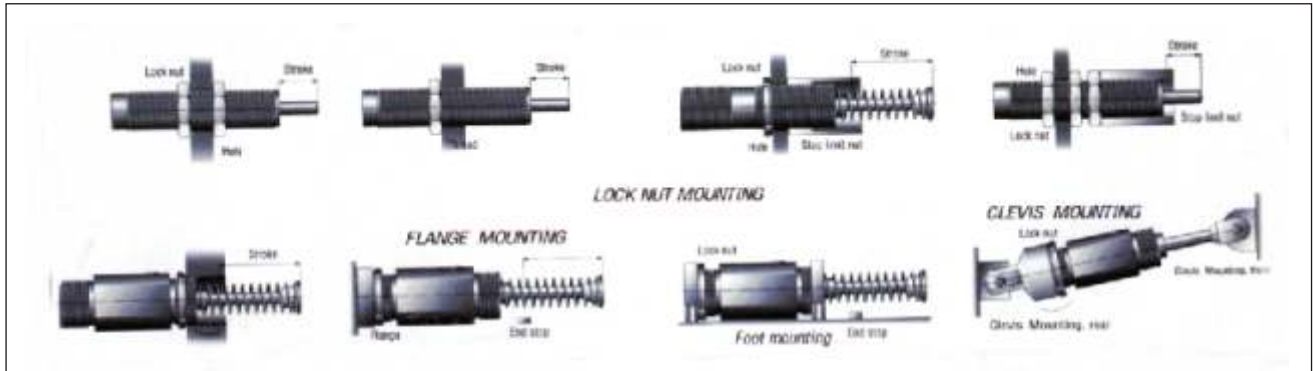
- Robotics
- Material handling
- Automotive automation
- Machine tools
- Pneumatics
- SPM
- CNC
- Linear modules
- Processing industry
- Circuit breakers
- Injection molding machines

FEATURES

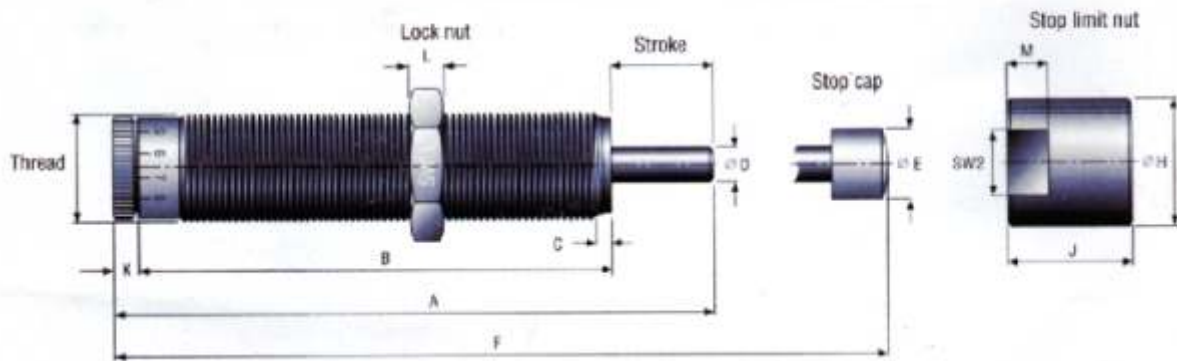
1. Smooth functioning
2. Variable adjustment
3. Impact Speeds :

TA-14	0.1 - 1.2 m/s
TA-16	0.1 - 2.0 m/s
TA-20	0.1 - 3.0 m/s
TA-25	0.1 - 3.2 m/s
4. Quick setback of piston rod by special integrated return spring
5. Any kind of mounting position
6. HOUSING : Black Finish
7. Piston Rod : Hard chrome plated
8. Temperature Range : -20 c to +90 c
9. 1 Lock nut included
10. Available on request : Stop can to reduce the noise

MOUNTING ARRANGEMENT



TECHNICAL DETAILS



TECHNICAL DETAILS

MODEL	THREAD	A	B	C	D	E	F	H	K
TA-14-10	M14 X 1.5	84.5	71	3.5	4	10	92.5	18	3.5
TA-16-13	M16 X 1.5	104	87	3.5	6	12	92.3	18	3.5
TA-20-20	M20 X 1.5	120	95	3.5	6	12	130	25	6
TA-25-25	M25 X 1.5	151	118	3.5	8	16	164	35	6
TA-25-40	M25 X 1.5	188	140	3.5	8	16	201	35	6

PERFORMANCE TABLE

MODEL	Stroke	Energy absorption		Effectiveness		Spring Force		Wt.gms
		Nm/Stroke	Nm/h	Min.les	Max. les	Min.N	Max.N	
TA-14-10	10	5	15,000	0.7	55	4	8	50
TA-16-13	13	20	25,000	1.5	160	4	11	85
TA-20-20	20	25	35,000	2	220	12	20	160
TA-25-25	25	90	70,000	10	1500	12	28	300
TA-25-40	40	120	1,20,000	10	2000	14	30	350

AVAILABLE RANGE

- TA - Adjustable M14 to M25,
- TA - Adjustable M36 to M115,
- TS - Non adjustable M10 to M36,
- TX - Optional as per drawing,

Marketed by :

ATLAS ENGINEERING COMPANY
 Cutch Castle, 519, S.V.P. Road,
 Opera House, Mumbai - 400 004.
 Phone : 022-2382 5043, 2387 7179, Fax : 022-2386 5537
 Email : sales@pneumaticsindia.com
 Website : www.pneumaticsindia.com

OTHER PRODUCTS FROM ATLAS

- Pneumatic Cylinders
- Solenoid Valves
- Pneumatic Accessories, FRLS
- Rotary Unions
- Quick Release Couplings
- Cam & Groove Couplers
- Fittings
- Tubing
- Ball Valves